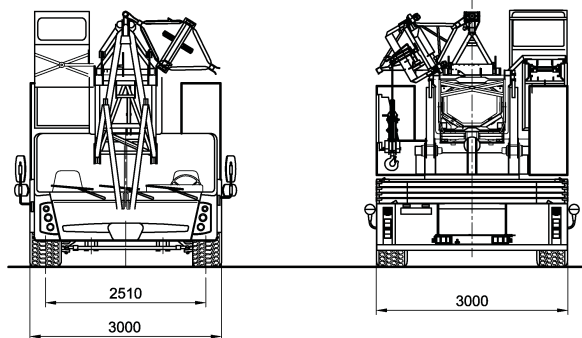
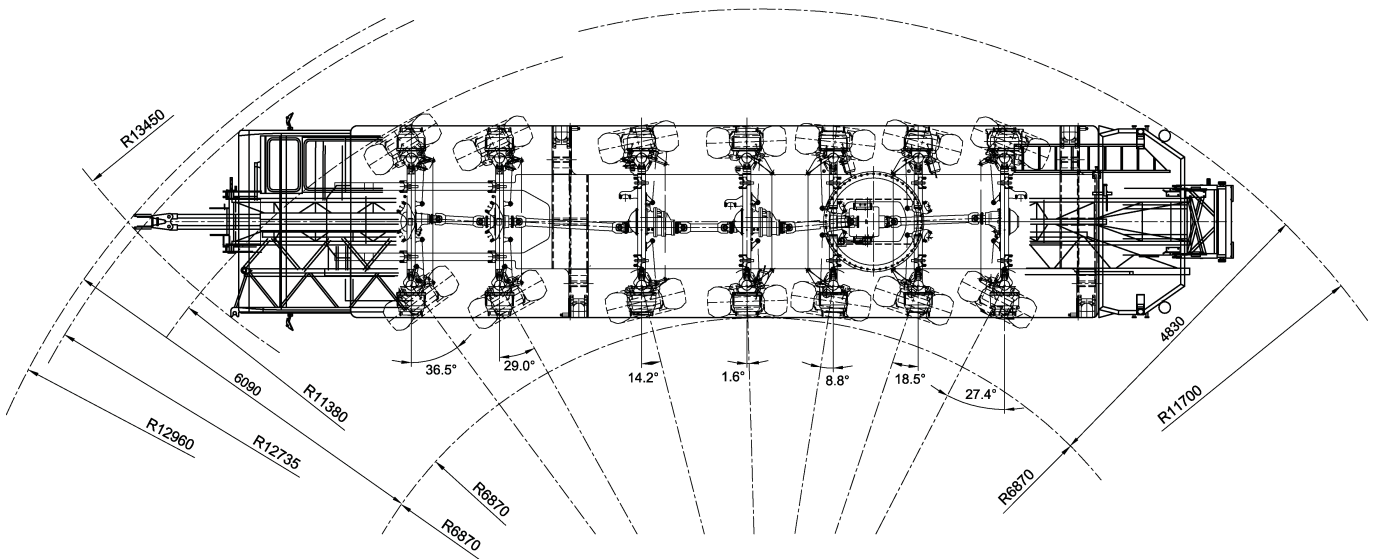
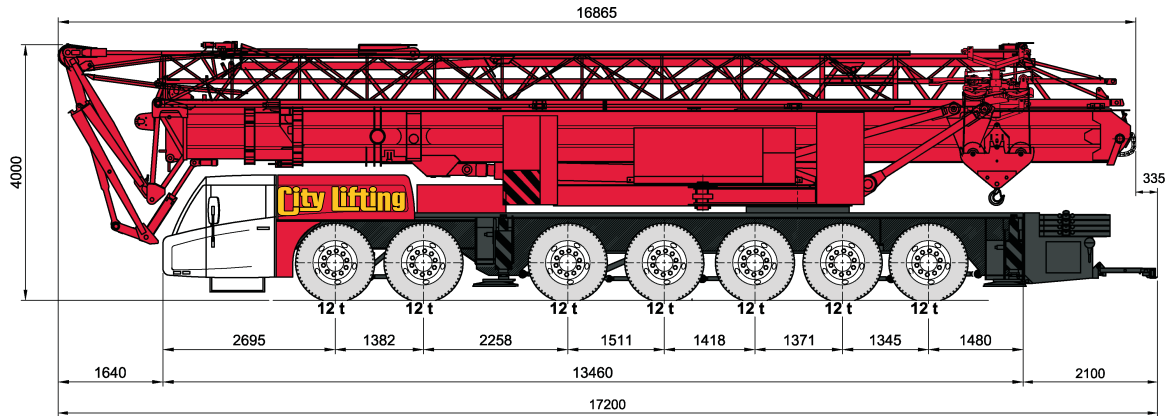
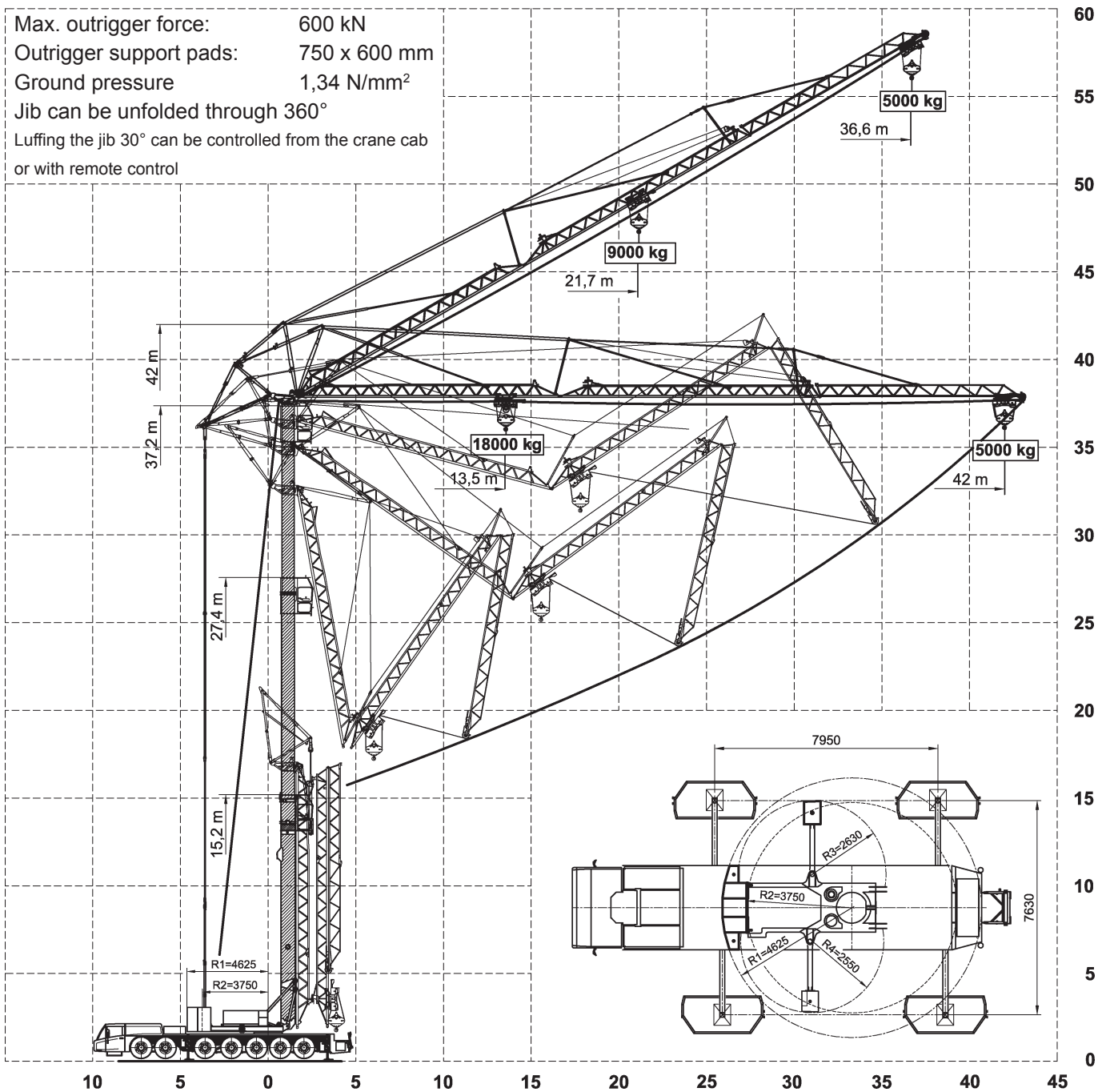






18 t Mobile Tower Crane



Working range

Max. outrigger force: 600 kN
 Outrigger support pads: 750 x 600 mm
 Ground pressure 1,34 N/mm²
 Jib can be unfolded through 360°
 Luffing the jib 30° can be controlled from the crane cab or with remote control







				DIN
42m	23t	7,95x7,63m	360°	75%

m	0°	42	30°	m
3,5	18		9	3,5
13,5	18		9	13,5
14	17,25		9	14
15	15,925		9	15
16	14,785		9	16
17	13,8		9	17
18	12,93		9	18
19	12,16		9	19
20	11,475		9	20
21	10,86		9	21
22	10,31		8,875	22
23	9,805		8,44	23
24	9,35		8,045	24
24,8	9		7,685	24,8
26	8,55		7,35	26
27	8,195		7,045	27
28	7,87		6,765	28
29	7,565		6,5	29
30	7,285		6,26	30
31	7,025		6,03	31
32	6,78		5,82	32
33	6,55		5,62	33
34	6,335		5,435	34
35	6,135		5,26	35
36	5,945		5,095	36
36,6	5,765		5	36,6
38	5,595			38
39	5,435			39
40	5,28			40
41	5,135			41
42	5			42

**Spierings SK 2400 AT7
7 Axle Heavy Duty**

City Lifting

				DIN
42m	23t	7,95x5,72m	360°	75%

m	42		m
	0°	30°	
3,5	18	9	3,5
10	18	9	10
11	16,005	9	11
12	14,42	9	12
13	13,115	9	13
14	12,02	9	14
15	11,09	9	15
15,8	10,285	9	15,8
16	10,285	8,255	16
17	9,59	8,255	17
18	9	7,725	18
19	8,44	7,255	19
20	7,955	6,84	20
21	7,525	6,465	21
22	7,135	6,125	22
23	6,785	5,82	23
24	6,46	5,545	24
25	6,165	5,29	25
26	5,895	5,055	26
27	5,65	4,84	27
28	5,42	4,64	28
29	5,205	4,455	29
30	5,01	4,285	30
31	4,825	4,125	31
32	4,65	3,975	32
33	4,49	3,835	33
34	4,34	3,705	34
35	4,2	3,585	35
36	4,065	3,465	36
36,6	3,94	3,4	36,6
37	3,94		37
38	3,82		38
39	3,705		39
40	3,6		40
41	3,495		41
42	3,4		42