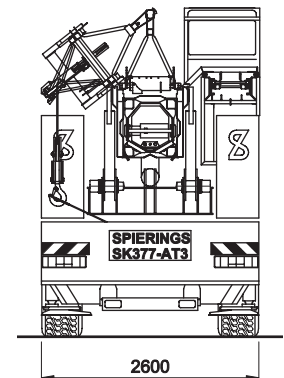
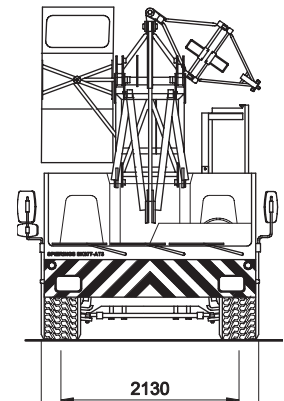
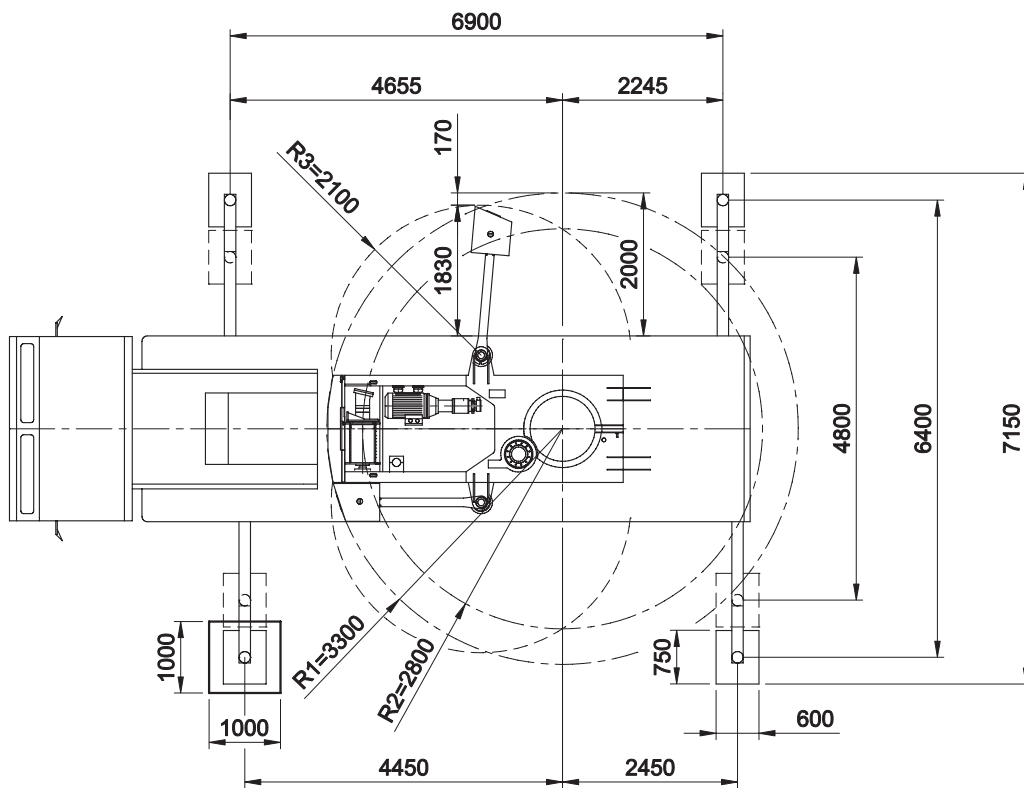
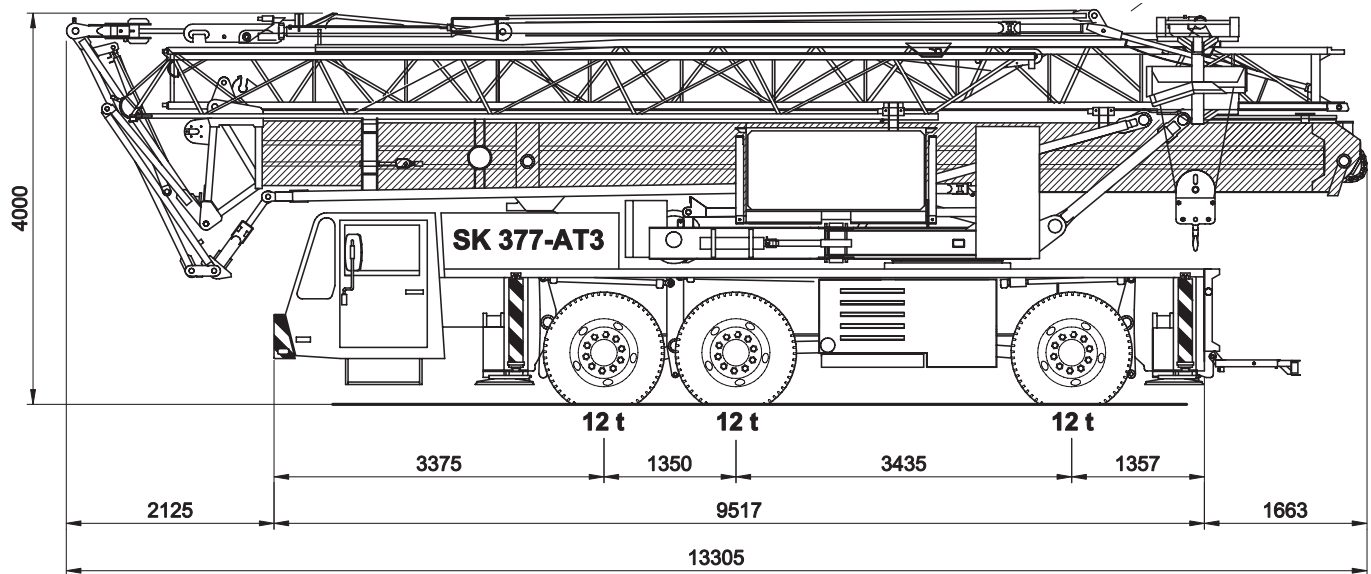


33m Mobile Tower Crane

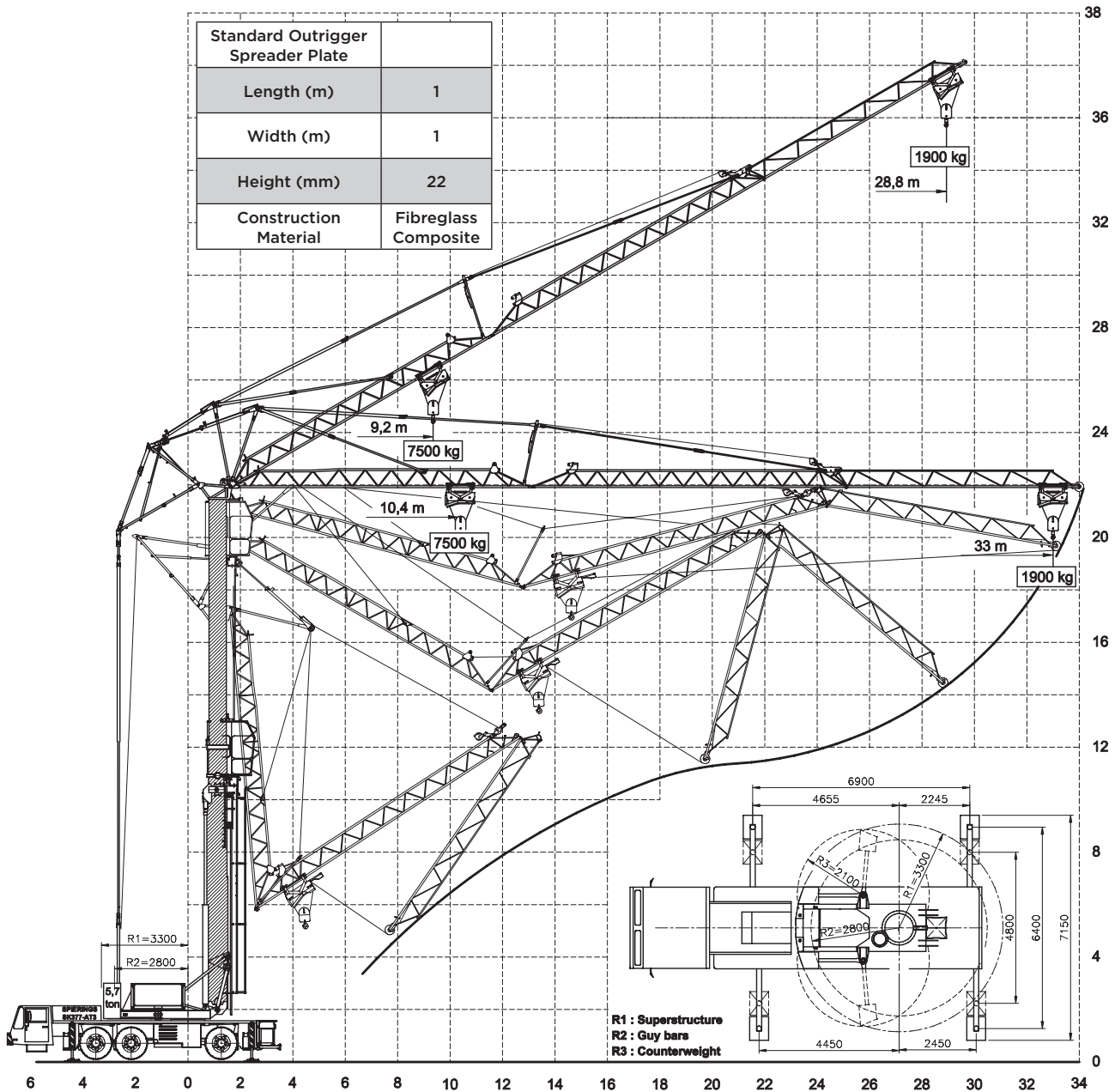
www.citylifting.co.uk



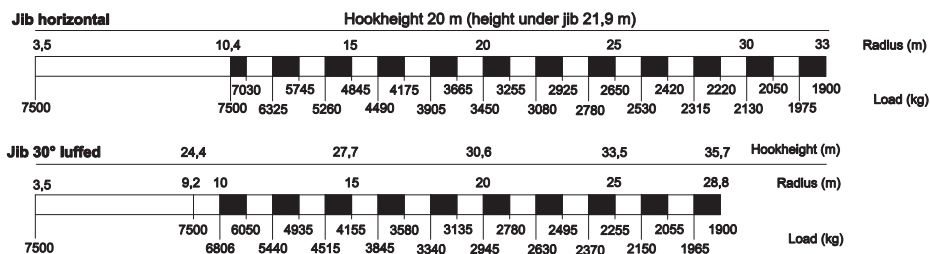
DISCLAIMER: Product introduction sheet supplied for reference purposes. Please see supplied USB stick or www.citylifting.co.uk for manufacturer detailed technical specification. Please contact the City Lifting Hire Team for Outrigger Loading and Spreader Mat Options.

33m Mobile Tower Crane

www.citylifting.co.uk



LIFTING CHART Outrigger support base 6,90 m x 6,40 m



DISCLAIMER: Product introduction sheet supplied for reference purposes. Please see supplied USB stick or www.citylifting.co.uk for manufacturer detailed technical specification including reduced outrigger chart options. Please contact the City Lifting Hire Team for Outrigger Loading and Spreader Mat options.