

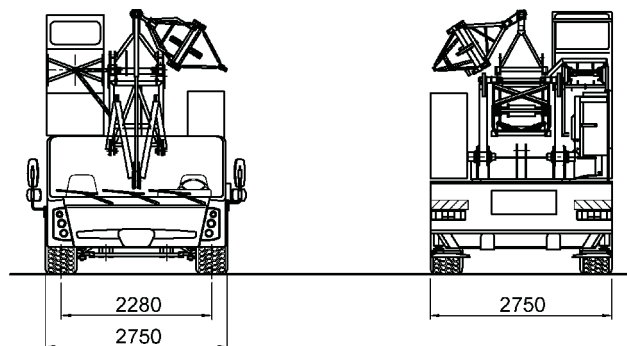
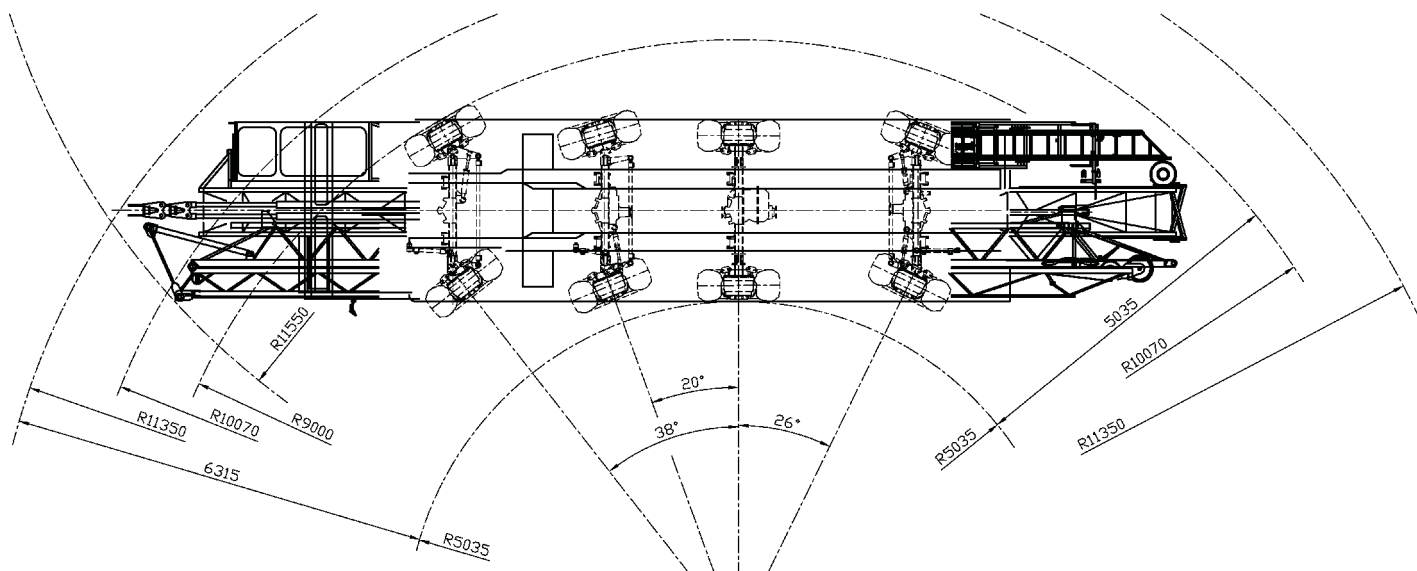
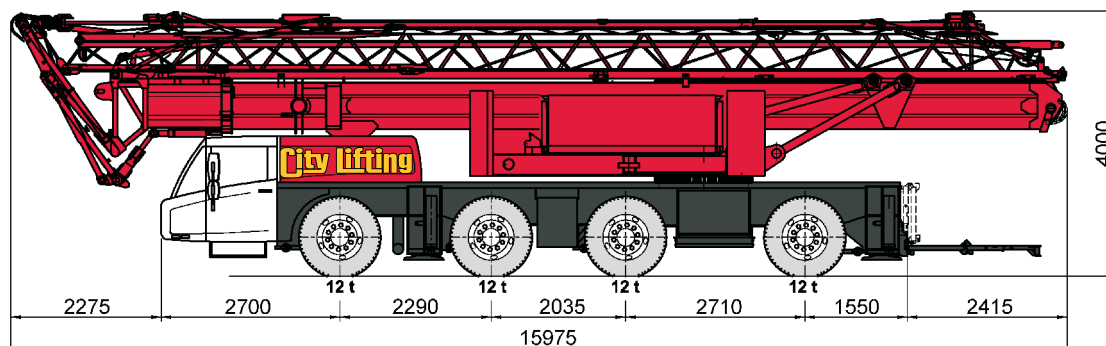
Spierings SK 498 AT4

City Lifting

CRANE HIRE SPECIALISTS

8 t Mobile Tower Crane

www.citylifting.co.uk



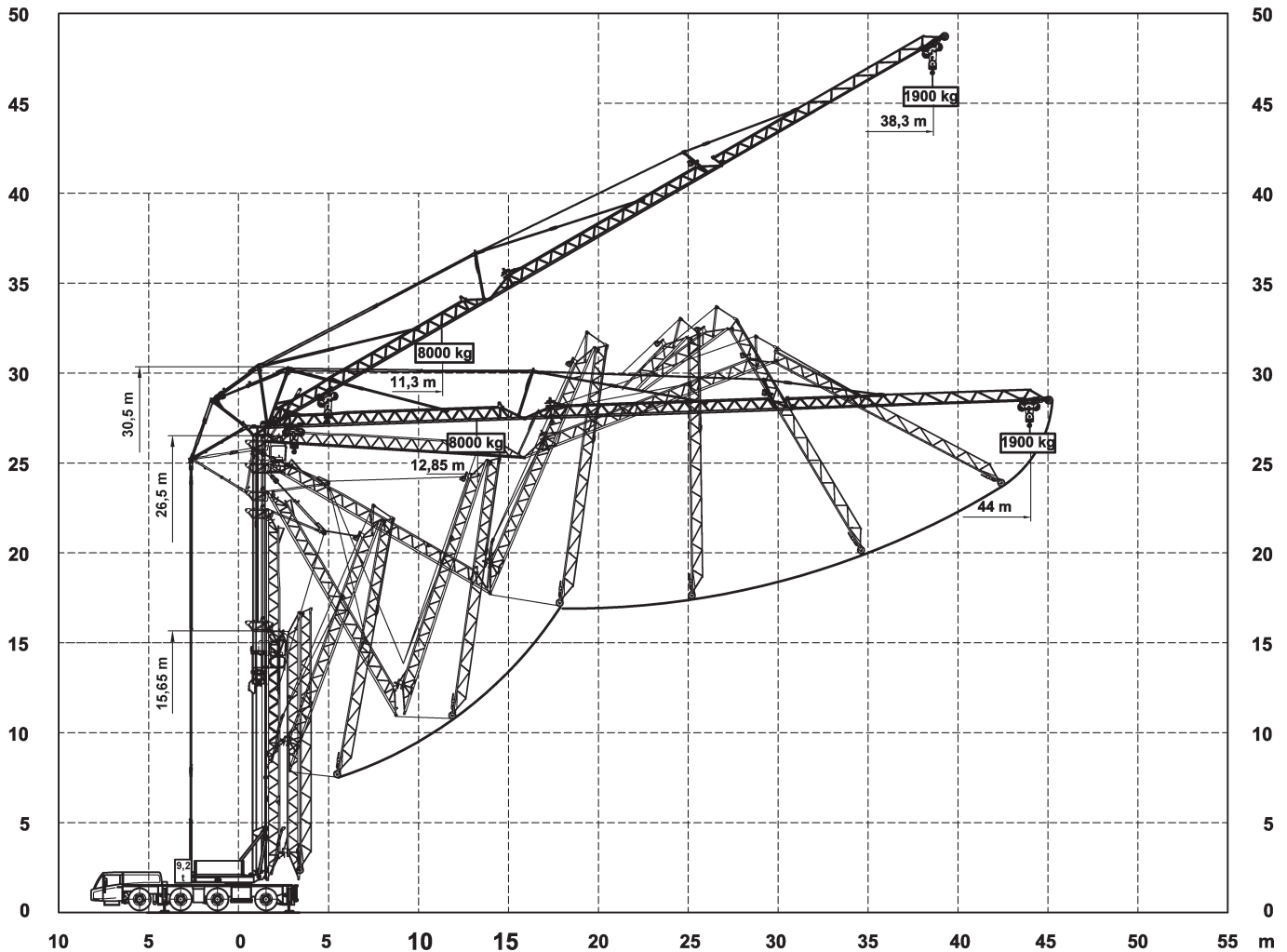
DISCLAIMER: Product introduction sheet supplied for reference purposes please see www.citylifting.co.uk for manufacturer detailed technical specification. Please contact the City Lifting Hire Team for Counter Weight Configurations, Fly Jib Options, Outrigger Loading and Standing Mat Options.

Tel: 01708 805550 | Fax: 01708 805558 | Email: hire@citylifting.co.uk

9 Juliette Way Purfleet Industrial Park
South Ockendon, Essex RM15 4YD

Working Range

www.citylifting.co.uk



Technical Specifications

Max. outrigger force:	360 kN
Outrigger support pads: Ground pressure:	750x600mm
Jib can be unfolded through:	360°
Luffing the jib 30° can be controlled from the crane cab	

DISCLAIMER: Product introduction sheet supplied for reference purposes please see www.citylifting.co.uk for manufacturer detailed technical specification. Please contact the City Lifting Hire Team for Counter Weight Configurations, Fly Jib Options, Outrigger Loading and Standing Mat Options.