

Truck Crane

www.citylifting.co.uk



We recommend the AK 46/6000 for all those that want to playfully reach the rear side of roofs or buildings. It has a comparatively low body weight and is mounted on an 18 or 26 t truck, lifting a maximum of 6 t.

With an extension length of 35 m and a working range up to 26.6 m, this crane reaches impressive working radiuses. The fly jib is mechanically extendible up to 11.2 m so that the working area can be optimally used.

Using the AK 35/3000 you also benefit from the well-proven advantages of Böcker crane technology, e.g. the sensitive telescopic functions when working with flat boom angle and the minimum slew radius. Speed and efficiency – these are the main characteristics of smallest Böcker truck-mounted crane. Despite its

compact and extremely light design, the AK 35/3000 still impresses by strong performance. With an extension length of 35 m and a working range up to 26.6 m, this crane reaches impressive working radiuses.

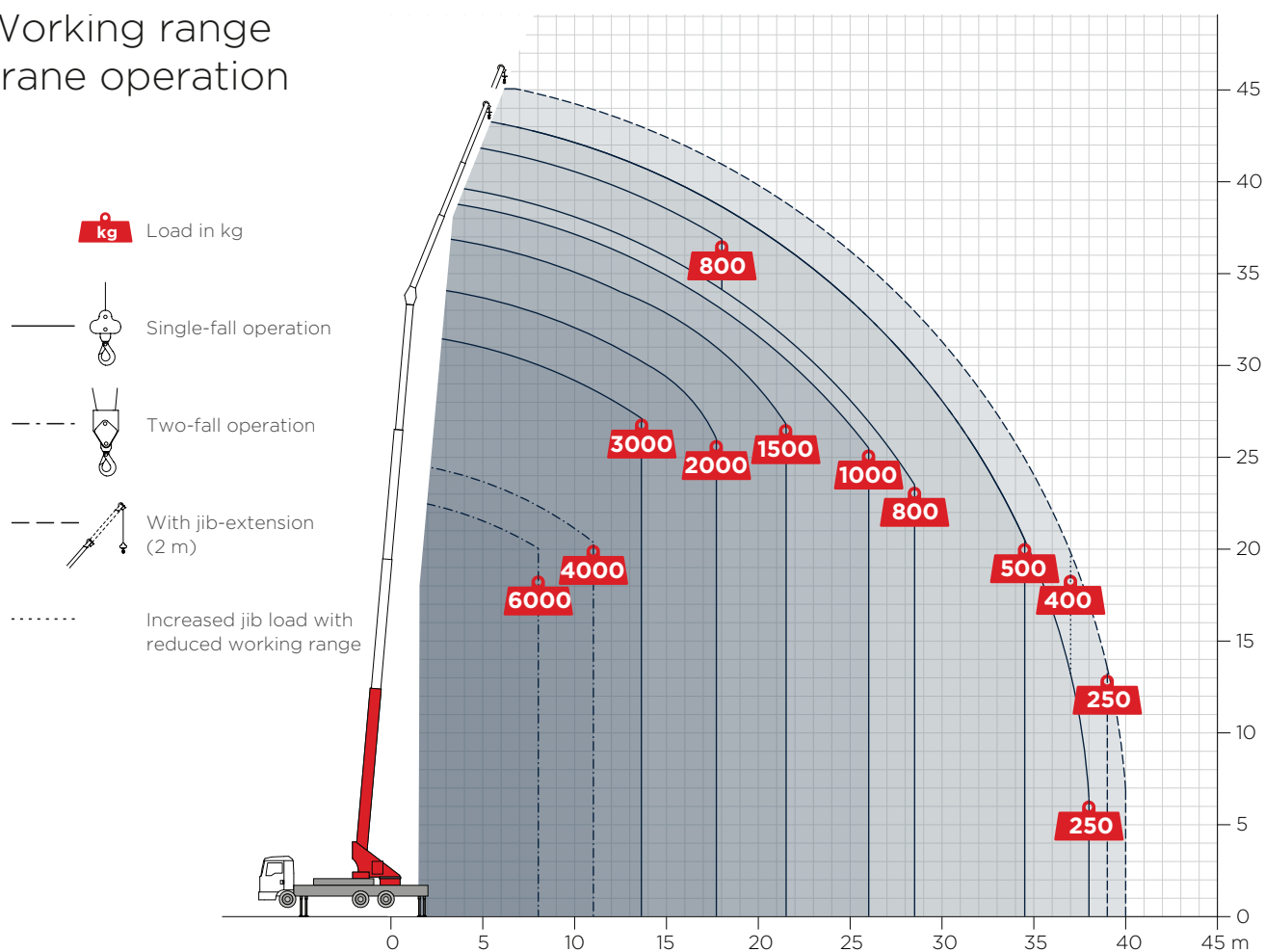
The fly jib is mechanically extendible up to 11.2 m so that the working area can be optimally used. Using the AK 35/3000 you also benefit from the well-proven advantages of Böcker crane technology, e.g. the sensitive telescopic functions when working with flat boom angle and the minimum slew radius.

Permissible gross vehicle weight (t)	18 / 26	Range for crane operation at 1 t (m)	26,0
Max. payload (kg)	3.000 (optional 6.000)	Range for crane operation at 2 t (m)	17,7
Max. extension length (m)	44,0 (optional 46,0)	Range for crane operation at 4 t (m)	11,0
Working height up to boom (m)	33,8	Range for crane operation at 6 t (m)	8,0
Boom extendable (m)	5,3 / 8,1 / 11,0	Range for crane operation at 12 t (m)	-
Boom payload (kg)	3.000 / 1.500 / 800 / (400)	Range for platform operation with rotatable basket (m)	33,1 at 250 kg 35,3 at 100 kg
Main mast angle (degrees)	85	Range for platform operation with hooped basket (m)	34,3 at 250 kg 37,4 at 100 kg
Boom angle (degrees)	162	Working height with rotatable basket max. (m)	43,3
Pivoting range (degrees) +/-	310	Working height with hooped basket max. (m)	46,0
Hook speed (m/min)	45		
Range for crane operation at 250 kg (m)	38,0 (39,0)		
Range for crane operation at 500 kg (m)	34,5		

Truck Crane

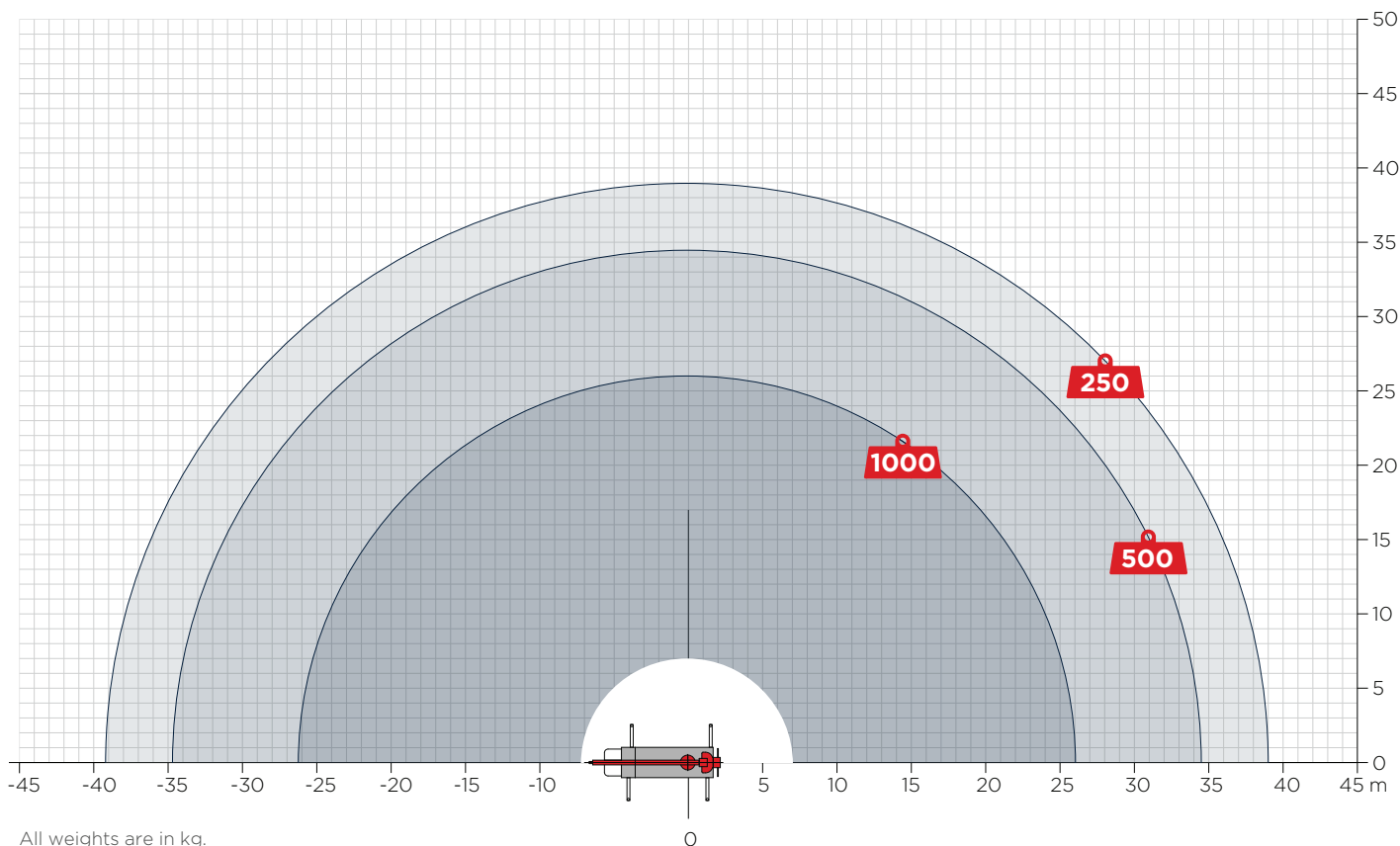
www.citylifting.co.uk

Working range crane operation



Bocker AK 46/6000

Truck Crane

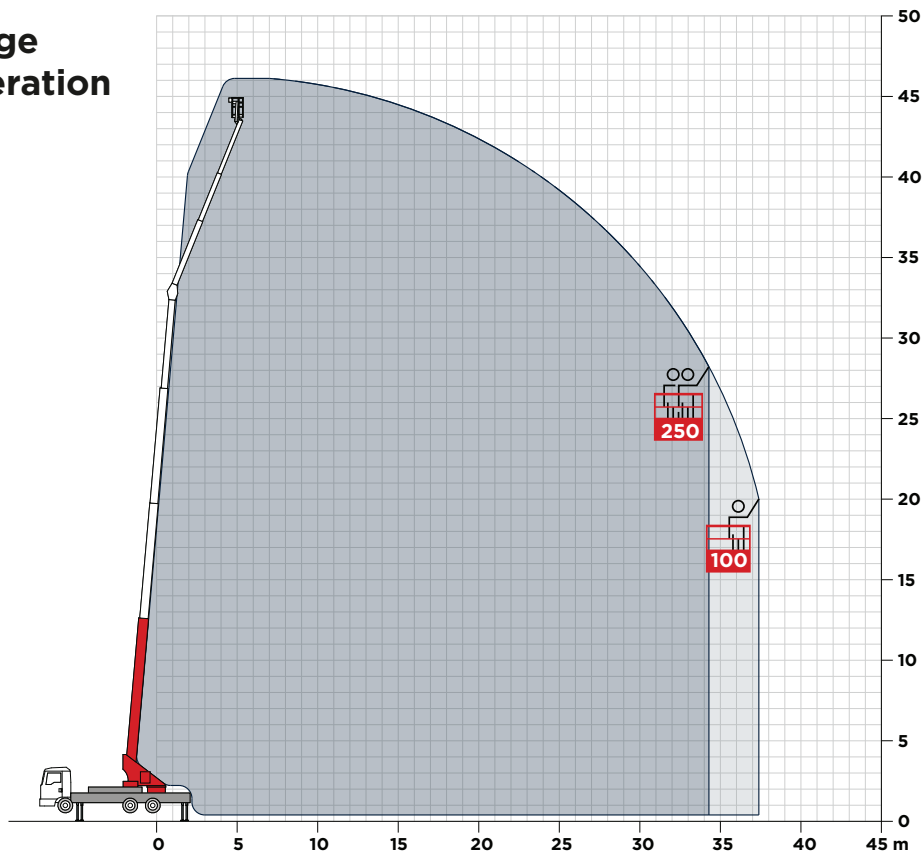


Bocker AK 46/6000

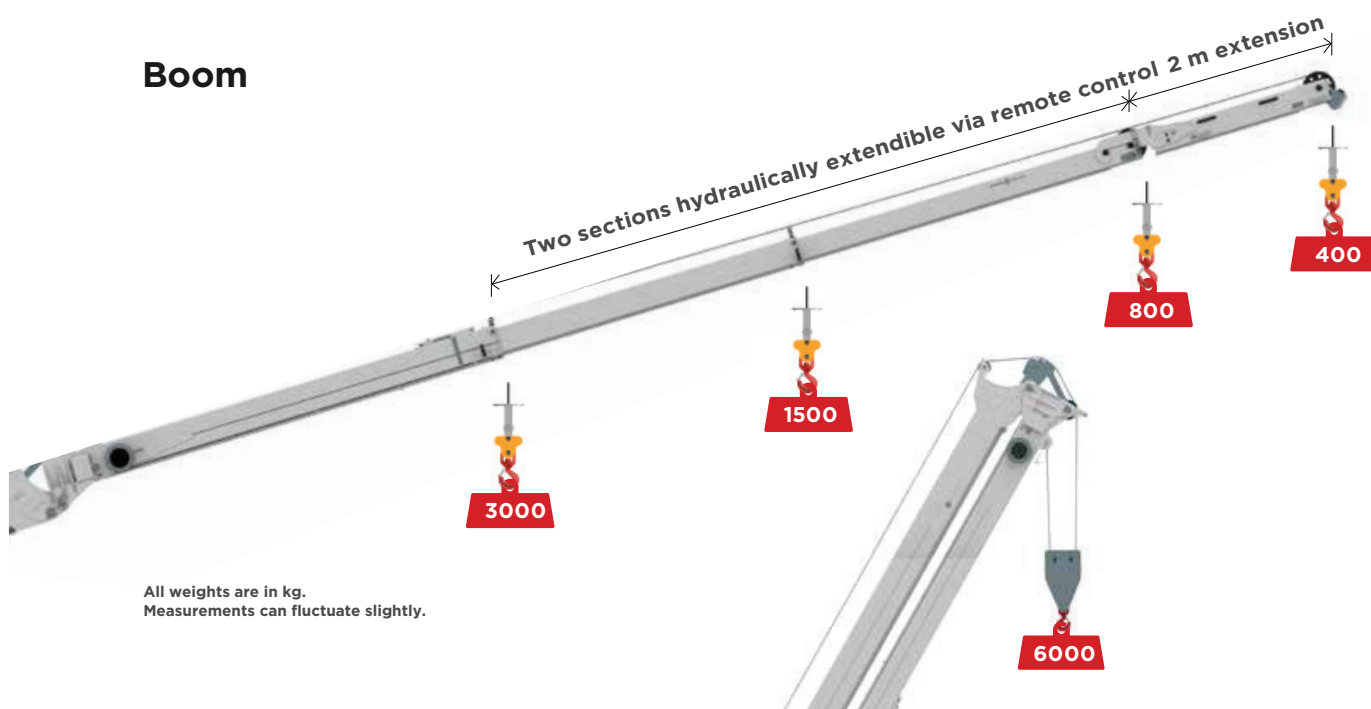
Truck Crane

www.citylifting.co.uk

Working range platform operation



Boom



All weights are in kg.
Measurements can fluctuate slightly.

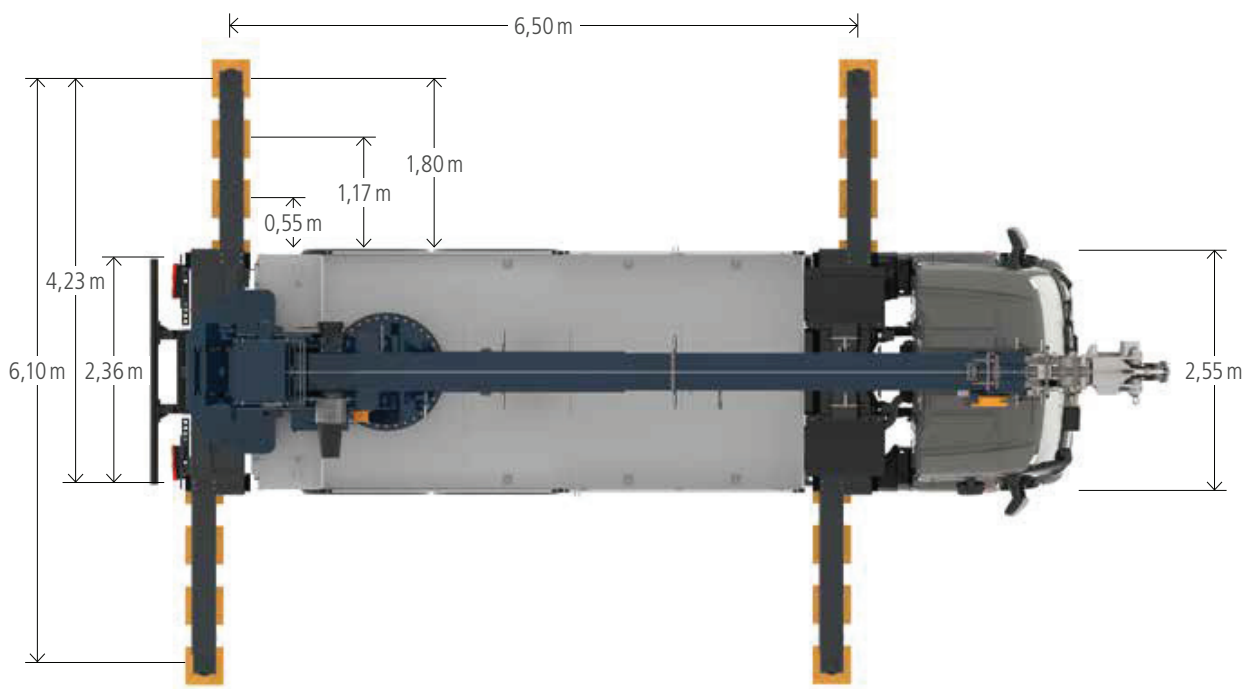
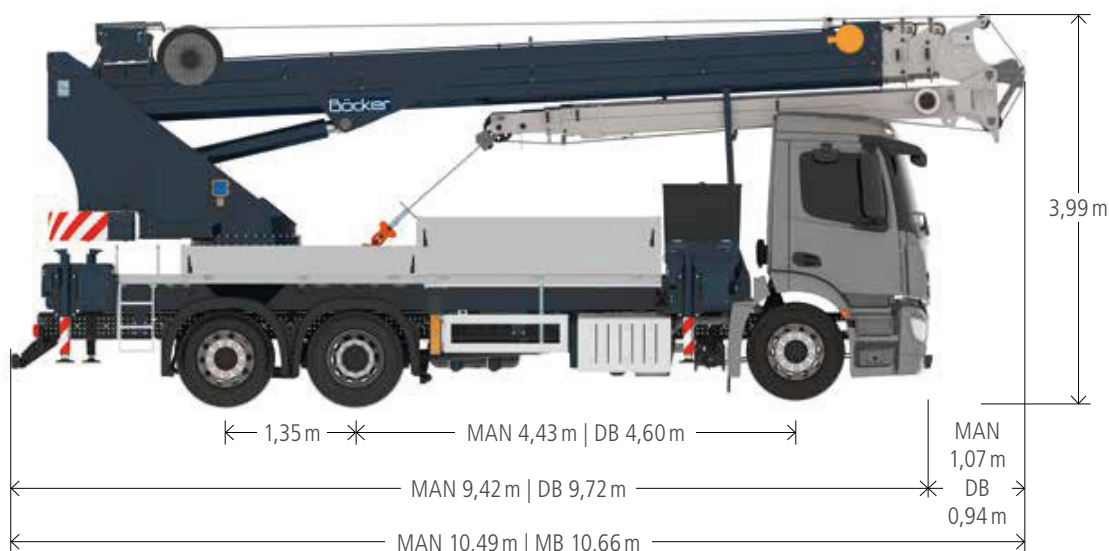
Bocker AK 46/6000

City Lifting

CRANE HIRE SPECIALISTS

Truck Crane

www.citylifting.co.uk



DISCLAIMER: Product introduction sheet supplied for reference purposes please see supplied USB stick or www.citylifting.co.uk for manufacturer detailed technical specification including reduced outrigger chart options. Please contact the City Lifting Hire Team for Outrigger Loading and Spreader Mat options.