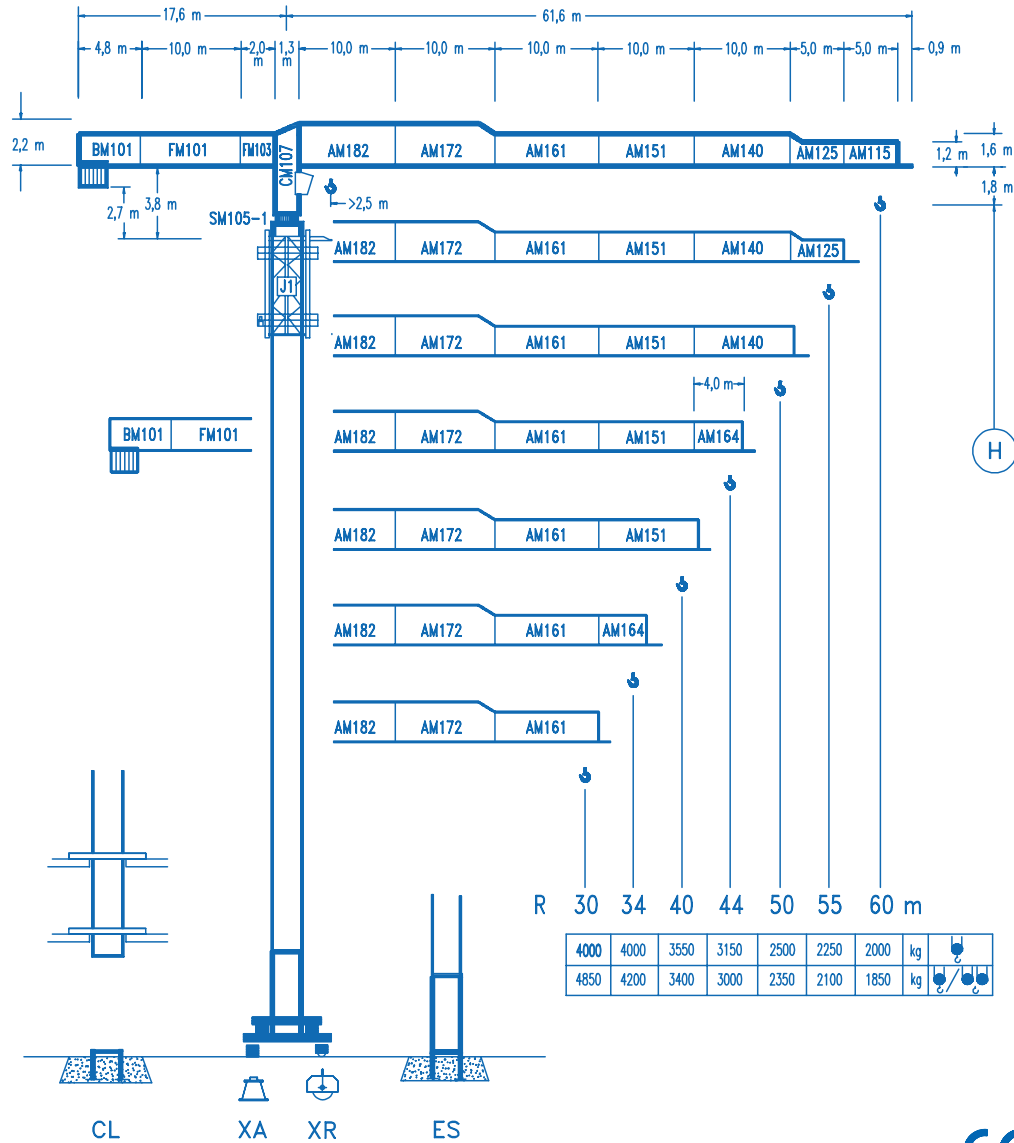


COMANSA 10 LC 140

FLAT TOP TOWER CRANE

Medium size general purpose tower crane. Easy to operate with good working speeds.

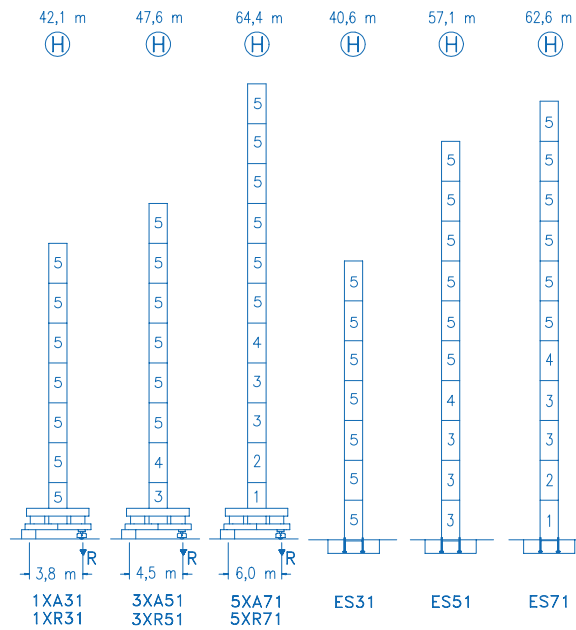


CE EN 14439 (C/25)

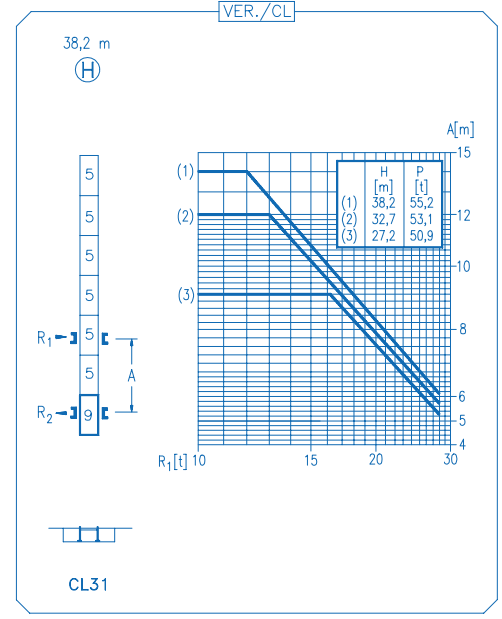
R	R _(Cmax)	C _{max}	25	30	34	40	44	50	55	60	m
60	33,1 m	4000	4000	4000	3885	3230	2895	2490	2225	2000	kg
			8000	5365	4350	3775	3095	2750	2345	2075	
55	33,5 m	4000	4000	4000	3930	3270	2930	2520	2250		kg
			8000	5420	4395	3795	3125	2785	2375	2100	
50	33,2 m	4000	4000	4000	3900	3240	2905	2500	2250		kg
			8000	5375	4355	3765	3100	2760	2350		
44	35,6 m	4000	4000	4000	4000	3515	3150				kg
			8000	5805	4715	4080	3365	3000			
40	36,0 m	4000	4000	4000	4000	3550					kg
			8000	5860	4760	4120	3400				
34	34,0 m	4000	4000	4000	4000						kg
			8000	5970	4850	4200					
30	30,0 m	4000	4000	4000							kg
			8000	5970	4850						

COMANSA 10 LC 140

FLAT TOP TOWER CRANE



N	Ref.	h
1	S15	5,5 m
2	TS15	5,5 m
3	S14	5,5 m
4	TS14	5,5 m
5	S13	5,5 m
9	CLS13.1	3,1 m



R. Max. In Service	1XR31 74,0 t
	3XR51 71,9 t
	5XR71 82,4 t

R. Max. Out of Service	1XR31 81,7 t
	3XR51 89,4 t
	5XR71 125,4 t

CFU-4.0
4 kW
0 ↻ 66 m/min

GR-7.5
2 x 75 Nm
0 ↻ 0,7 rpm

EFU2-37-20 *
450 m
37 kW

0 ↻ 1,2 m/min

0 ↻ 2,4 m/min

Supply Voltage	400 V 3 ph 50 Hz
-----------------------	------------------------