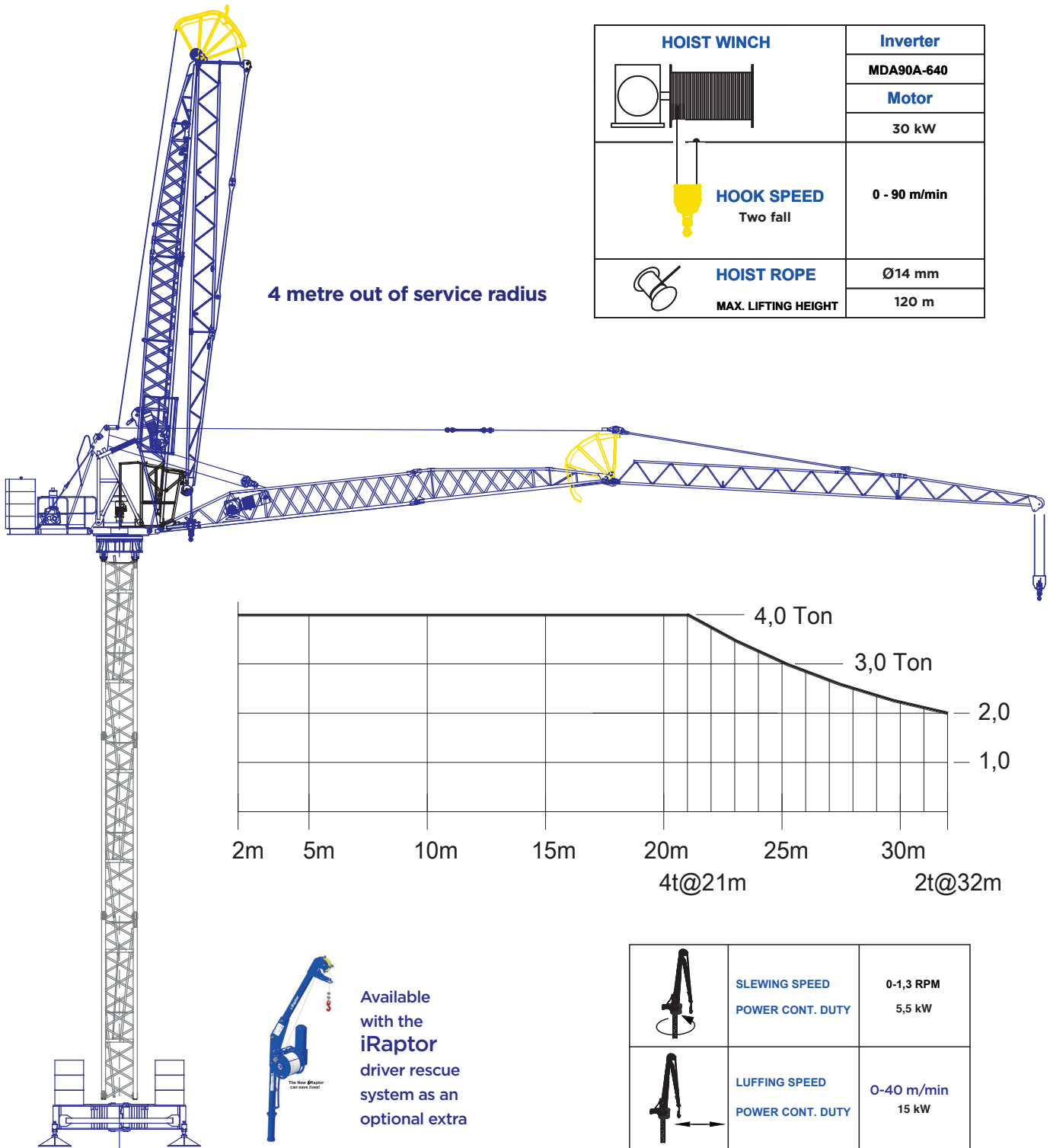


RAPTOR 84

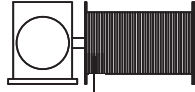


ARTICULATED JIB TOWER CRANE

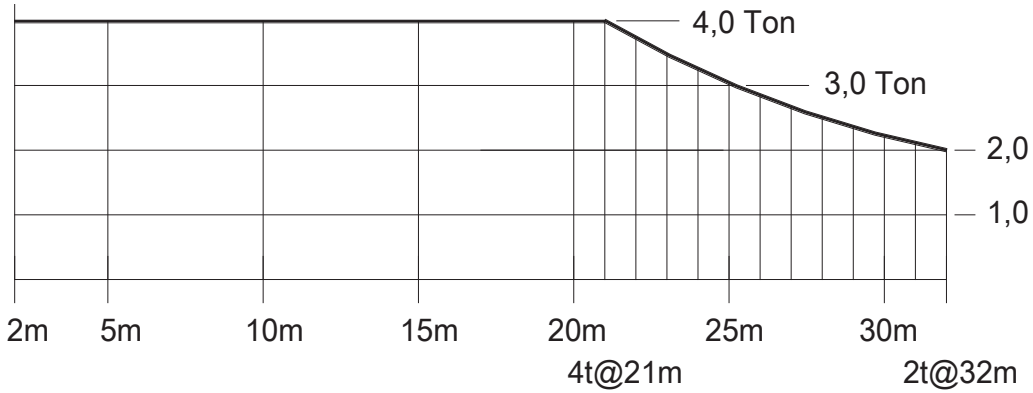
Small articulated jib tower crane, that provides a solution for restricted airspace problems.

Can be pedestrian operated by radio control if required.






4 metre out of service radius

 <p>HOIST WINCH</p>	Inverter
	MDA90A-640
 <p>HOOK SPEED Two fall</p>	Motor
	30 kW
 <p>HOIST ROPE MAX. LIFTING HEIGHT</p>	0 - 90 m/min
	Ø14 mm
	120 m



Available with the **iRaptor** driver rescue system as an optional extra

	SLEWING SPEED	0-1,3 RPM
	POWER CONT. DUTY	5,5 kW
	LUFFING SPEED	0-40 m/min
	POWER CONT. DUTY	15 kW

	400 V , 50 Hz	CONTROL VOLTAGE
	480 V , 60 Hz	24 VDC
Main fuse	100 A (400 V, 50 Hz)	
Power Cable	Minimum 4x25mm²	

RAPTOR 84

ARTICULATED JIB TOWER CRANE



RAPTOR 84

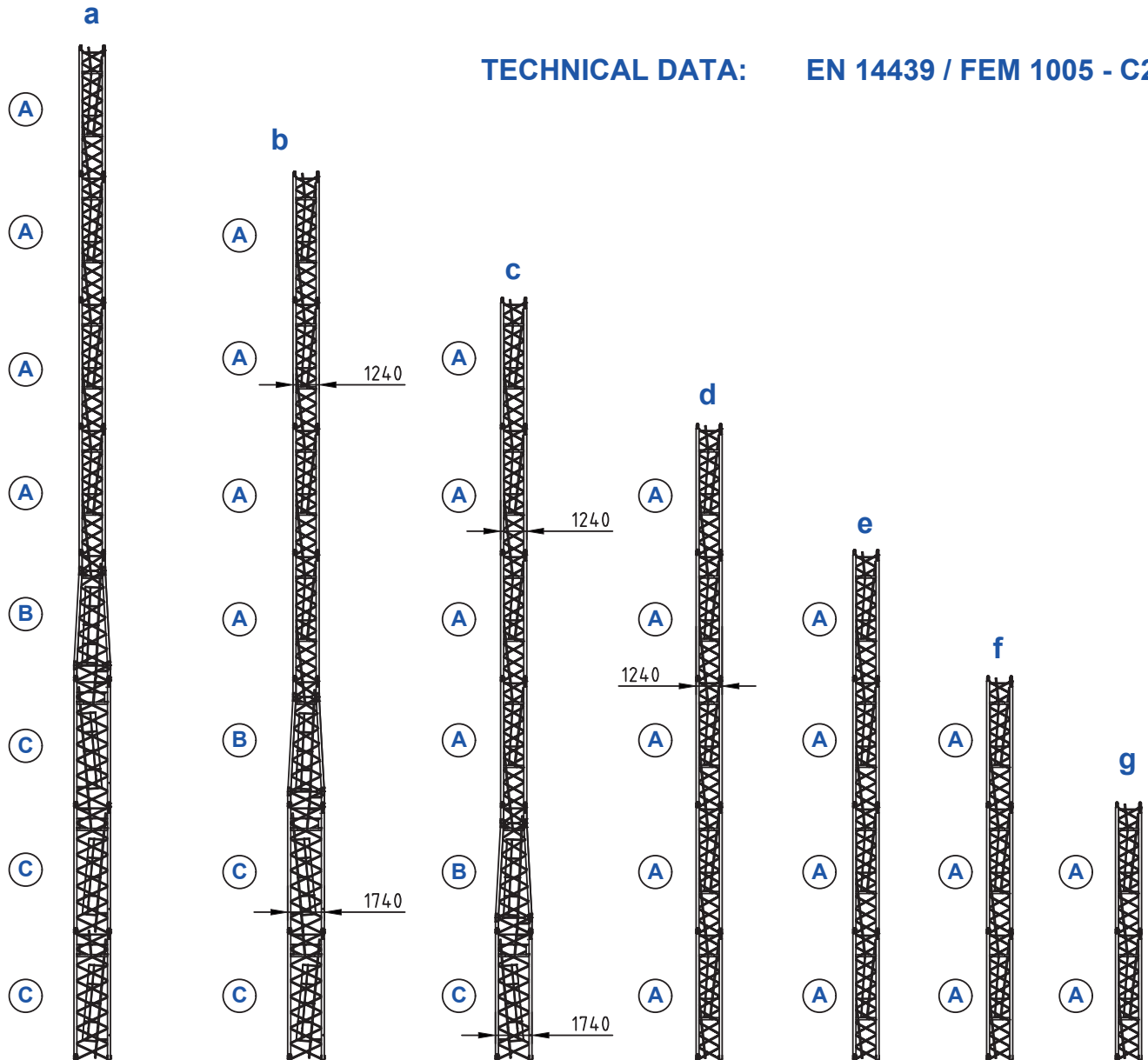
ARTICULATED JIB TOWER CRANE

JIB		5800kg	18.0 x 2.5 x 2.8 m
HOOK BLOCK		100 kg	0.25 x 0.2 x 0.96 m
CAB		1800 kg	4.1 x 1.6 x 2.54 m
COUNTER WEIGHT		2x 4000kg	2.4 x 0.9 x 0.93 m
BACK JIB		1500kg	2.8 x 1.66 x 1.51 m
SLEWING PART		5000kg	4.54 x 2.18 x 1.94 m
TOWER		<p>1950kg</p> <p>2100kg</p> <p>2000kg</p> <p>4000kg</p>	<p>1.24 x 1.24 x 6.25 (Art.No 1260)</p> <p>1.74 x 1.74 x 6.25 (Art.No 121760)</p> <p>1.74 x 1.74 x 6.25 (Art.No 1760)</p> <p>1.74 x 1.74 x 12.25 (Art.No 17120)</p>
BASE CROSS		5100kg	6,8 x 1.5 x 1.9

RAPTOR 84

ARTICULATED JIB TOWER CRANE

TECHNICAL DATA: EN 14439 / FEM 1005 - C25



Concrete Foundation

			a	b	c	d	e	f	g
	Hook Height = Tower Height	metres	48.2	42.2	36.2	30.2	24.2	18.2	12.2
	FOUNDATION SIZE	□ LxH1 [m]	7x1.4	7x1.1	6.4x1.1	5.8x1.1	5.3x1.1	5x1.1	4.9x1.1
	FOUNDATION WEIGHT	tones	164	129	108	89	74	66	63

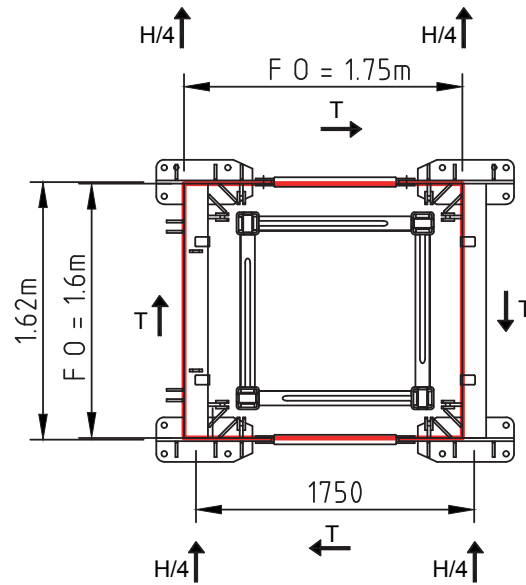
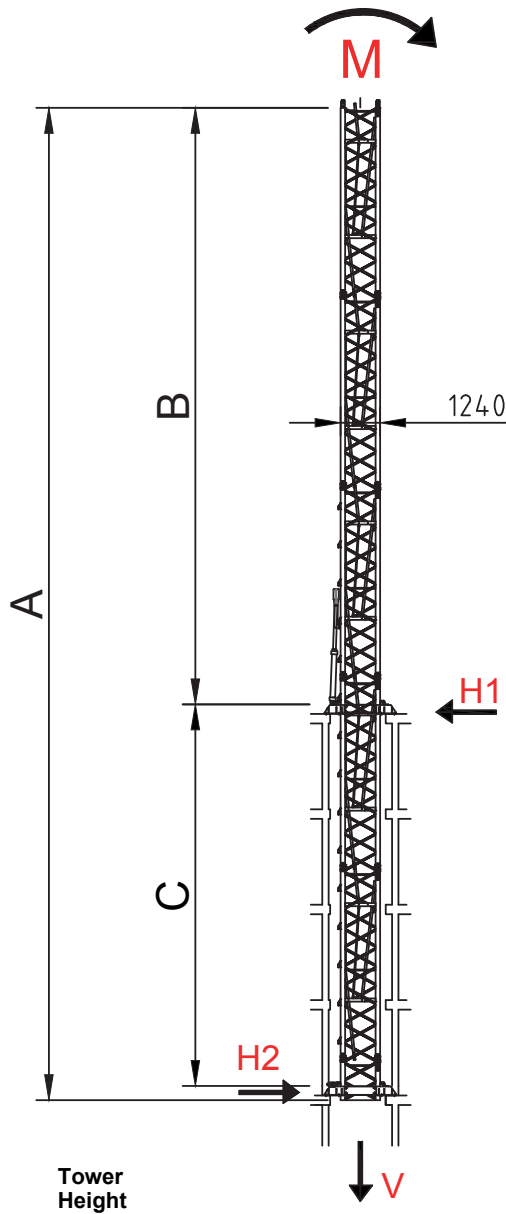
Base Cross - 4.5m x 4.5m

Table only valid with Artic Crane original base cross 4.5m x 4.5m

		Hook Height = Tower Height	metres	-	43.6	37.6	31.6	25.6	19.6	13.6
	BASE BALLAST	tones	-	121	93	66	47	36	34	
	CORNER PRESSURE	IN SERVICE	kN	-	716	619	526	456	410	389
		OUT OF SERVICE	kN	-	960	771	592	462	363	298

RAPTOR 84

ARTICULATED JIB TOWER CRANE



F O = Floor opening

- A = Tower height
- B = A - C
- C = Distance between bracings
- Cmin = 9.0 metres
- Cmax = 12.0 metres
- $H1 = M / C + H$
- $H2 = H1 - H$
- $T = S / 2 \times 1.75$

	Reaction Forces to structure							
	Crane In Service S = 90kNm				Crane Out of Service S = 0kNm			
A (m)	25.2		31.2		25.2		31.2	
C (m)	9	12	9	12	9	12	9	12
V (kN)	341	341	360	360	292	292	311	311
H1 (kN)	206	158	222	171	212	172	275	222
H2 (kN)	172	125	183	133	111	71	150	97
T (kN)	26	26	26	26	0	0	0	0

RAPTOR 84

ARTICULATED JIB TOWER CRANE

