

# SPIERINGS SK 498 AT4

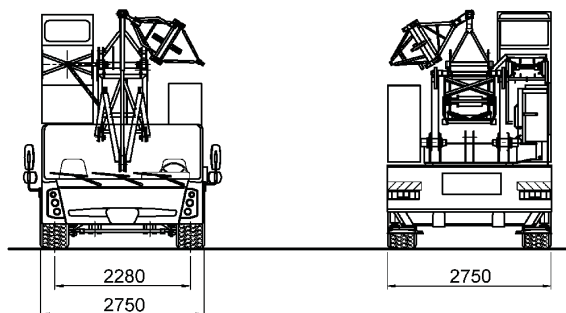
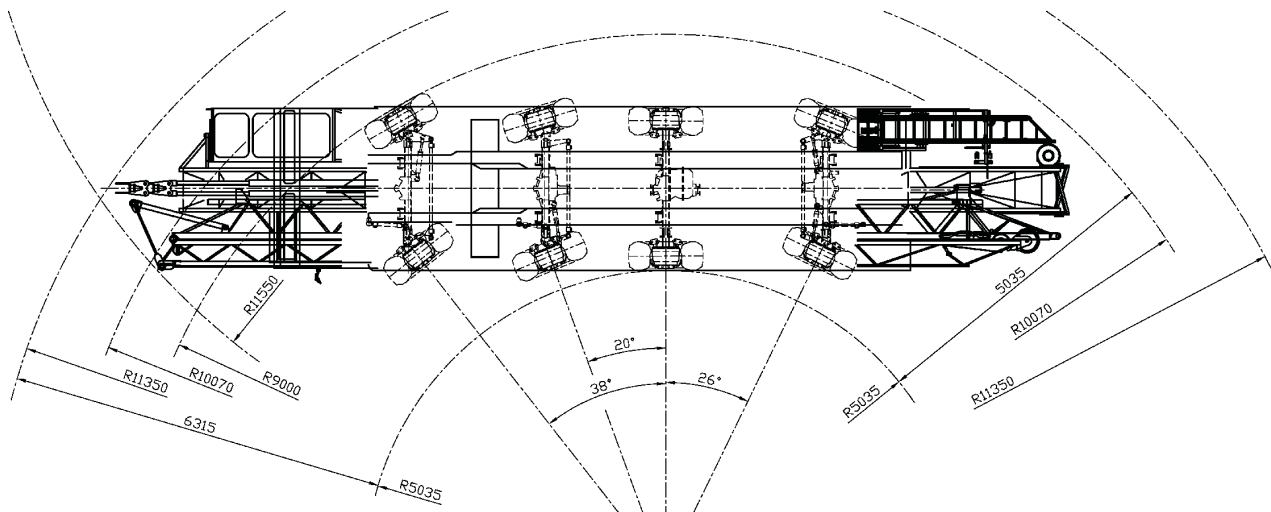
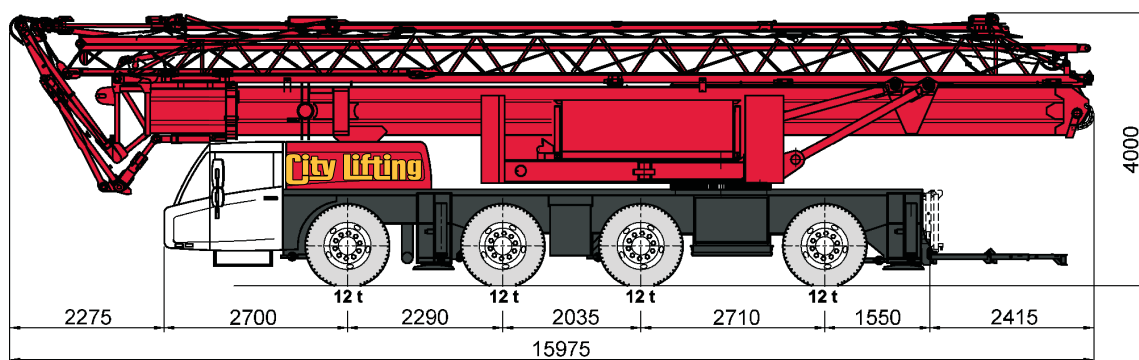
# City Lifting

CRANE HIRE SPECIALISTS

## MOBILE TOWER CRANES

[www.citylifting.co.uk](http://www.citylifting.co.uk)

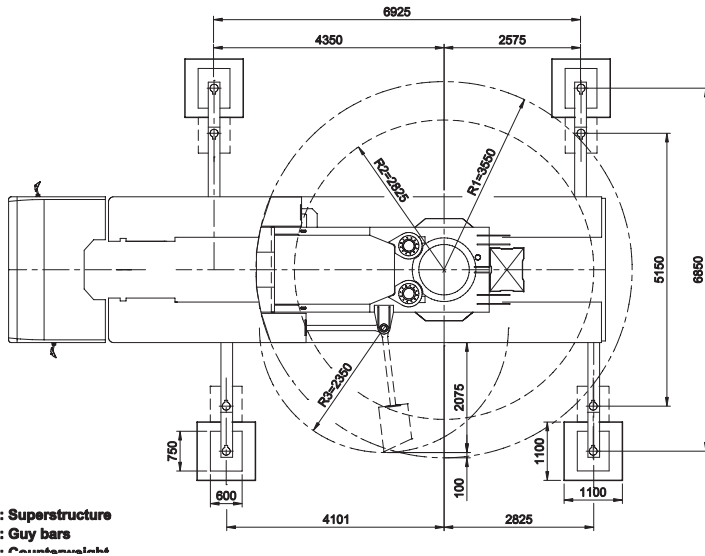
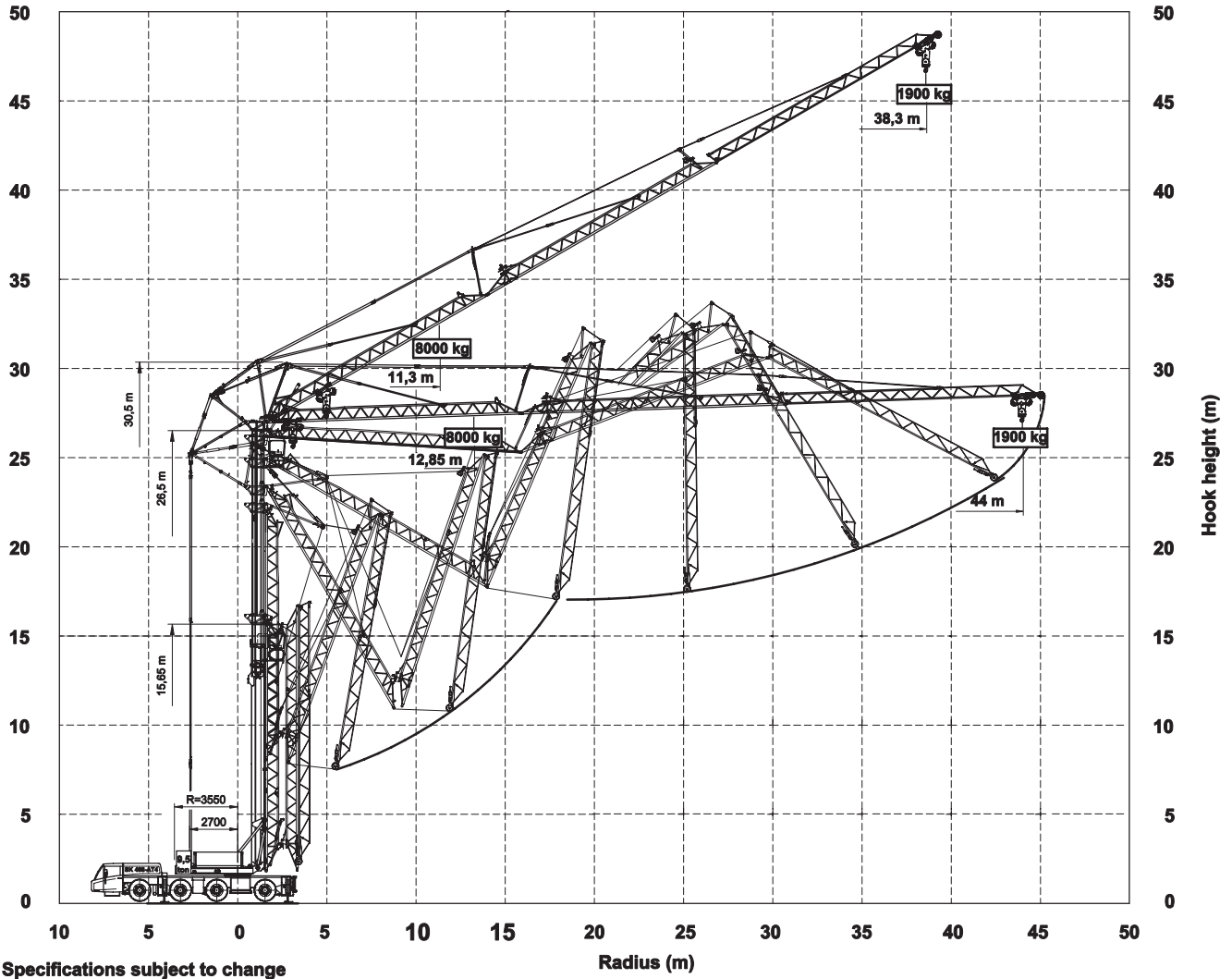
The Kato 130RF is an extremely versatile crane. Less than 2 metres wide and a carrier length of 6 metres, it is still very strong for its size. Outriggers can be set in any position and the crane will calculate allowable lifting capacity.



# SPIERINGS SK 498 AT4

## MOBILE TOWER CRANES


### Crane Footprint And Unfolding Diagram



Max. outrigger force	360 kN
Outrigger support pads	750x600 mm
Ground pressure	0,80 N/mm <sup>2</sup>
Outrigger support plates	1100x1100 mm
Surface	1,21 m <sup>2</sup>
Ground pressure	0,30 N/mm <sup>2</sup>

# SPIERINGS SK 498 AT4

## MOBILE TOWER CRANES

<b>LIFTING CHART outrigger support base 6,925 m x 6,85 m up to wind force 8 on the Beaufort scale (17 m/sec)</b>																			
Hook height 25,3 m (height under the jib 27,3 m)																			
<b>Jib horizontal</b>																			
3,5	12,85	15	20	25	30	35	40	44	Radius (m)										
8000	7690	6665	5760	5065	4510	4060	3690	3375	3105	2875	2670	2495	2335	2195	2070	1955	Load (kg)		
<b>Jib 30° luffed</b>																			
3,5	30,9	33	35,9	38,8	41,7	44,6	46,5	Hook height (m)											
8000	11,34	15	20	25	30	35	38,3	Radius (m)											
8000	8000	6790	5730	4950	4345	3865	3475	3155	2880	2650	2450	2275	2120	1985	1900	Load (kg)			
<b>LIFTING CHART outrigger support base 6,925 m x 5,15 m up to wind force 8 on the Beaufort scale (17 m/sec)</b>																			
Hook height 25,3 m (height under the jib 27,3 m)																			
<b>Jib horizontal</b>																			
3,5	9,27	10	15	20	25	30	35	40	44	Radius (m)									
8000	8000	6470	5285	4450	3830	3355	2980	2675	2420	2205	2020	1865	1725	1605	1495	1400	1315	1235	Load (kg)
<b>Jib 30° luffed</b>																			
3,5	29,1	30,1	33	35,9	38,8	41,7	44,6	46,5	Hook height (m)										
8000	8,24	10	15	20	25	30	35	38,3	Radius (m)										
8000	7150	5565	4535	3815	3280	2865	2540	2275	2055	1870	1710	1575	1455	1350	1255	1200	Load (kg)		
Specifications subject to change																			
	<b>Speed</b>	jib horizontal / jib 30° luffed		All motions with hydraulic proportional controls. Luffing the jib 30° can be controlled from crane cab or by remote control. The crane should be folded in at wind force 9 (Bf) (21 m/sec) or when not in use for a longer period.		Counterweight crane: 9500 kg. Continues slewing (360°) with outriggers out and support pads down. (Crane can be driven in its erected position under special conditions (refer user guide)).		Rated lift capacity is net capacity. Always two parts of line. Max. line pull force: 4000 kg. Operating temperature range from: -15°C till + 40°C. Sail area of the load max.: 1,0 m²/ton.		Outrigger positioned according to lifting chart. Outrigger support base : 6,925 m x 6,85 m. Operation allowed up to wind force 8 Bf (17 m/sec). Outrigger support base : 6,925 m x 5,15 m. Operation allowed up to wind force 8 Bf (17 m/sec). <b>Max. outrigger force: 360 kN.</b>									
	m/min	18	8000																
		27	4000																
		40	2000																
	60	0																	

**No need to deduct the hook block weights as it is a permanent part of the crane.**