

SPIERINGS SK 599 AT5

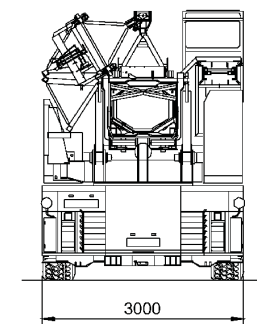
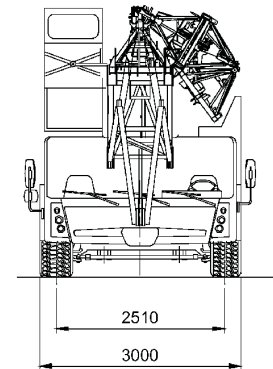
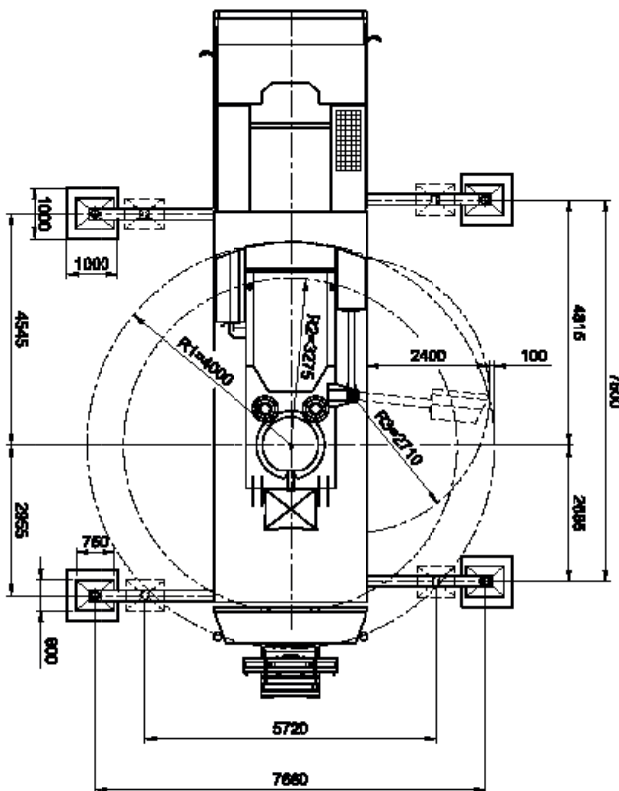
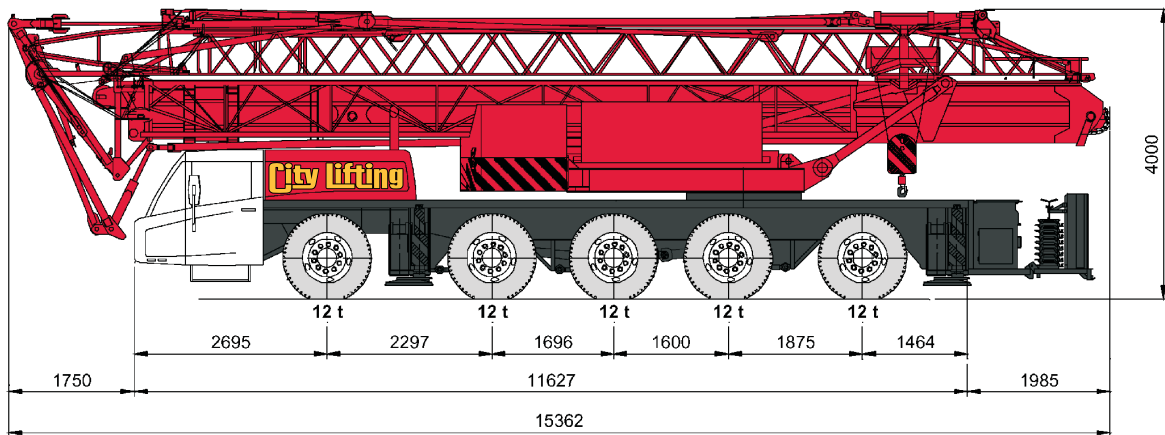
City Lifting

CRANE HIRE SPECIALISTS

MOBILE TOWER CRANES

www.citylifting.co.uk

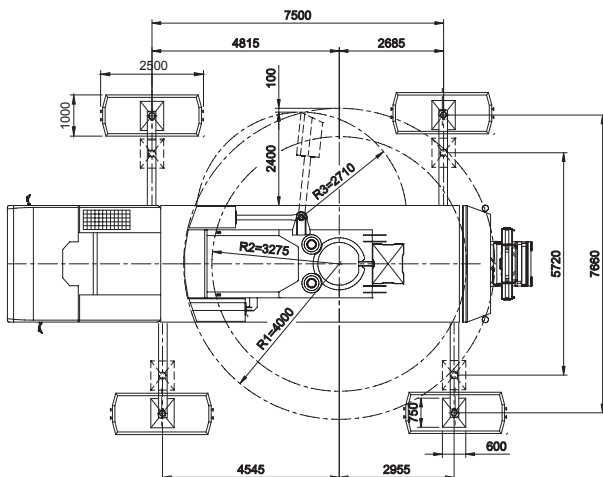
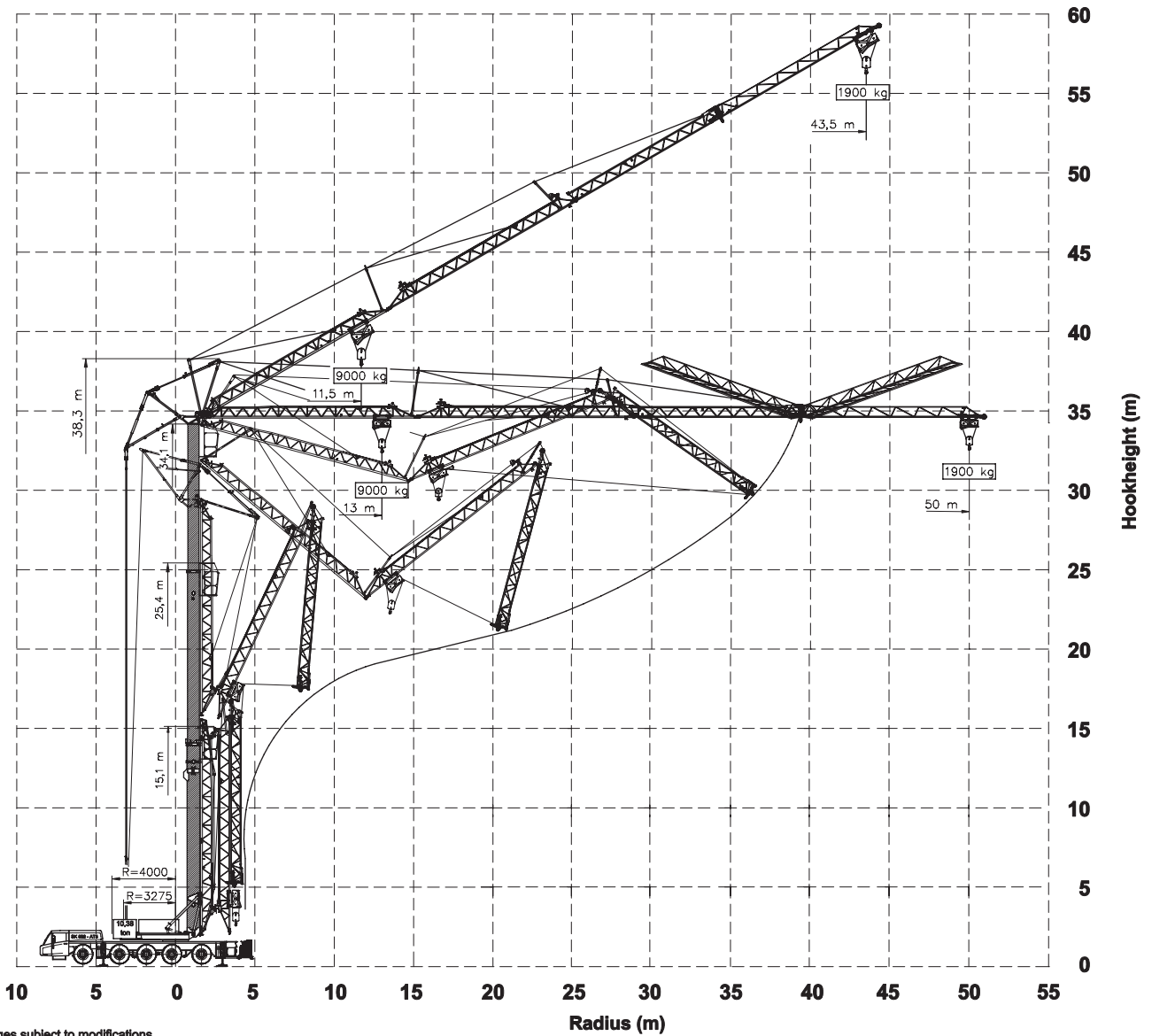
The Spierings SK597e Lift crane can work on sites emission free if connected to a small electricity supply whilst working on site. 3 Phase electrical connection of either 32 amps or 16 amps is sufficient to run the crane all day. **PLEASE NOTE** this crane has a larger counterweight radius of 3886mm instead of 3550



DISCLAIMER: Product introduction sheet supplied for reference purposes please see supplied USB stick or www.citylifting.co.uk for manufacturer detailed technical specification. Please contact the City Lifting Hire Team for Outrigger Loading and Spreader Mat Options.

SPIERINGS SK 599 AT5

MOBILE TOWER CRANES



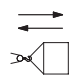
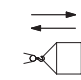
R1 : Superstructure
R2 : Guy bars
R3 : Counterweight

Outrigger support base

Max. outrigger force	440 kN
Outrigger support pads	750x600 mm
Ground pressure	1,00 N/mm ²
Outrigger support plates	1000x1000 mm
Surface	1,00 m ²
Ground pressure	0,44 N/mm ²

SPIERINGS SK 599 AT5

MOBILE TOWER CRANES

Speeds		Jib horizontal / jib 30° luffed			m/min 20 9000 32 4500 50 2250 75 0	0 - 70 m/min 0 - 0,9 rpm	All motions with hydraulic proportional controls. Luffing the jib 30° can be controlled from crane cab or by remote control. The crane should be folded in at wind force 9 (Bf) (21 m/sec) or when not in use for a longer period.	Counterweight crane: 10380 kg. Continuous slewing (360°) with outriggers out and support pads down. Crane can be driven in its erected position under special conditions (refer user guide).	Rated lift capacity is net capacity. Always two parts of line. Max. line pull force: 4500 kg. Operating temperature range from: -15°C till + 40°C. Sail area of the load max.: 1,0 m²/ ton.	Outrigger positioned according to lifting chart Outrigger support base : 7,50 m x 7,66 m. Operation allowed up to wind force 8 Bf (17 m/sec) Outrigger support base : 7,50 m x 5,72 m. Operation allowed up to wind force 8 Bf (17 m/sec) Max. outrigger force: 440kN.																																			
Lifting chart Outrigger support base 7,50 m x 7,66 m											Hookheight 23,8 / 32,6 m (height under jib 25,8 / 34,6 m)																																		
Jib horizontal				<table border="1"> <tr> <td>3,5</td> <td>13</td> <td>15</td> <td>20</td> <td>25</td> <td>30</td> <td>35</td> <td>40</td> <td>45</td> <td>50</td> <td>Radius (m)</td> <td>Load (kg)</td> </tr> <tr> <td>9000</td> <td>8315</td> <td>7115</td> <td>6205</td> <td>5495</td> <td>4925</td> <td>4460</td> <td>4070</td> <td>3735</td> <td>3450</td> <td>3205</td> <td>2990</td> <td>2710</td> <td>2550</td> <td>2405</td> <td>2270</td> <td>2155</td> <td>2045</td> <td>1945</td> </tr> </table>							3,5	13	15	20	25	30	35	40	45	50	Radius (m)	Load (kg)	9000	8315	7115	6205	5495	4925	4460	4070	3735	3450	3205	2990	2710	2550	2405	2270	2155	2045	1945				
3,5	13	15	20	25	30	35	40	45	50	Radius (m)	Load (kg)																																		
9000	8315	7115	6205	5495	4925	4460	4070	3735	3450	3205	2990	2710	2550	2405	2270	2155	2045	1945																											
Jib 30° luffed				<table border="1"> <tr> <td>3,5</td> <td>37,8</td> <td>39,8</td> <td>42,7</td> <td>45,6</td> <td>48,5</td> <td>51,4</td> <td>54,2</td> <td>56,3</td> <td>Hookheight (m)</td> <td>Radius (m)</td> <td>Load (kg)</td> </tr> <tr> <td>9000</td> <td>8595</td> <td>7155</td> <td>6115</td> <td>5330</td> <td>4715</td> <td>4225</td> <td>3820</td> <td>3480</td> <td>3195</td> <td>2950</td> <td>2735</td> <td>2545</td> <td>2380</td> <td>2235</td> <td>2100</td> <td>1980</td> <td>1900</td> </tr> </table>							3,5	37,8	39,8	42,7	45,6	48,5	51,4	54,2	56,3	Hookheight (m)	Radius (m)	Load (kg)	9000	8595	7155	6115	5330	4715	4225	3820	3480	3195	2950	2735	2545	2380	2235	2100	1980	1900					
3,5	37,8	39,8	42,7	45,6	48,5	51,4	54,2	56,3	Hookheight (m)	Radius (m)	Load (kg)																																		
9000	8595	7155	6115	5330	4715	4225	3820	3480	3195	2950	2735	2545	2380	2235	2100	1980	1900																												
Lifting chart Outrigger support base 7,50 m x 5,72 m				Hookheight 23,8 / 32,6 m (height under jib 25,8 / 34,6 m)																																									
Jib horizontal				<table border="1"> <tr> <td>3,5</td> <td>8,4</td> <td>10</td> <td>15</td> <td>20</td> <td>25</td> <td>30</td> <td>35</td> <td>40</td> <td>45</td> <td>50</td> <td>Radius (m)</td> <td>Load (kg)</td> </tr> <tr> <td>9000</td> <td>8250</td> <td>6420</td> <td>5240</td> <td>4410</td> <td>3795</td> <td>3325</td> <td>2850</td> <td>2645</td> <td>2390</td> <td>2180</td> <td>2000</td> <td>1840</td> <td>1705</td> <td>1585</td> <td>1480</td> <td>1385</td> <td>1295</td> <td>1220</td> <td>1150</td> <td>1085</td> <td>1025</td> </tr> </table>							3,5	8,4	10	15	20	25	30	35	40	45	50	Radius (m)	Load (kg)	9000	8250	6420	5240	4410	3795	3325	2850	2645	2390	2180	2000	1840	1705	1585	1480	1385	1295	1220	1150	1085	1025
3,5	8,4	10	15	20	25	30	35	40	45	50	Radius (m)	Load (kg)																																	
9000	8250	6420	5240	4410	3795	3325	2850	2645	2390	2180	2000	1840	1705	1585	1480	1385	1295	1220	1150	1085	1025																								
Jib 30° luffed				<table border="1"> <tr> <td>3,5</td> <td>35,5</td> <td>36,9</td> <td>39,8</td> <td>42,7</td> <td>45,6</td> <td>48,5</td> <td>51,4</td> <td>54,2</td> <td>56,3</td> <td>Hookheight (m)</td> <td>Radius (m)</td> <td>Load (kg)</td> </tr> <tr> <td>9000</td> <td>8270</td> <td>6215</td> <td>4985</td> <td>4105</td> <td>3490</td> <td>3030</td> <td>2665</td> <td>2375</td> <td>2135</td> <td>1935</td> <td>1765</td> <td>1620</td> <td>1495</td> <td>1380</td> <td>1285</td> <td>1195</td> <td>1120</td> <td>1050</td> <td>1000</td> </tr> </table> changes subject to modifications							3,5	35,5	36,9	39,8	42,7	45,6	48,5	51,4	54,2	56,3	Hookheight (m)	Radius (m)	Load (kg)	9000	8270	6215	4985	4105	3490	3030	2665	2375	2135	1935	1765	1620	1495	1380	1285	1195	1120	1050	1000		
3,5	35,5	36,9	39,8	42,7	45,6	48,5	51,4	54,2	56,3	Hookheight (m)	Radius (m)	Load (kg)																																	
9000	8270	6215	4985	4105	3490	3030	2665	2375	2135	1935	1765	1620	1495	1380	1285	1195	1120	1050	1000																										
Speeds				Jib horizontal / jib 30° luffed			m/min 20 9000 32 4500 50 2250 75 0	0 - 70 m/min 0 - 0,9 rpm	All motions with hydraulic proportional controls. Luffing the jib 30° can be controlled from crane cab or by remote control. The crane should be folded in at wind force 9 (Bf) (21 m/sec) or when not in use for a longer period.	Counterweight crane: 10380 kg. Continuous slewing (360°) with outriggers out and support pads down. Crane can be driven in its erected position under special conditions (refer user guide).	Rated lift capacity is net capacity. Always two parts of line. Max. line pull force: 4500 kg. Operating temperature range from: -15°C till + 40°C. Sail area of the load max.: 1,0 m²/ ton.	Outrigger positioned according to lifting chart Outrigger support base : 7,50 m x 7,66 m. Operation allowed up to wind force 8 Bf (17 m/sec) Outrigger support base : 7,50 m x 5,72 m. Operation allowed up to wind force 8 Bf (17 m/sec) Max. outrigger force: 440kN.																																	

No need to deduct the hook block weights as it is a permanent part of the crane.