

SPIERINGS SK 2400 AT7 (42M JIB)

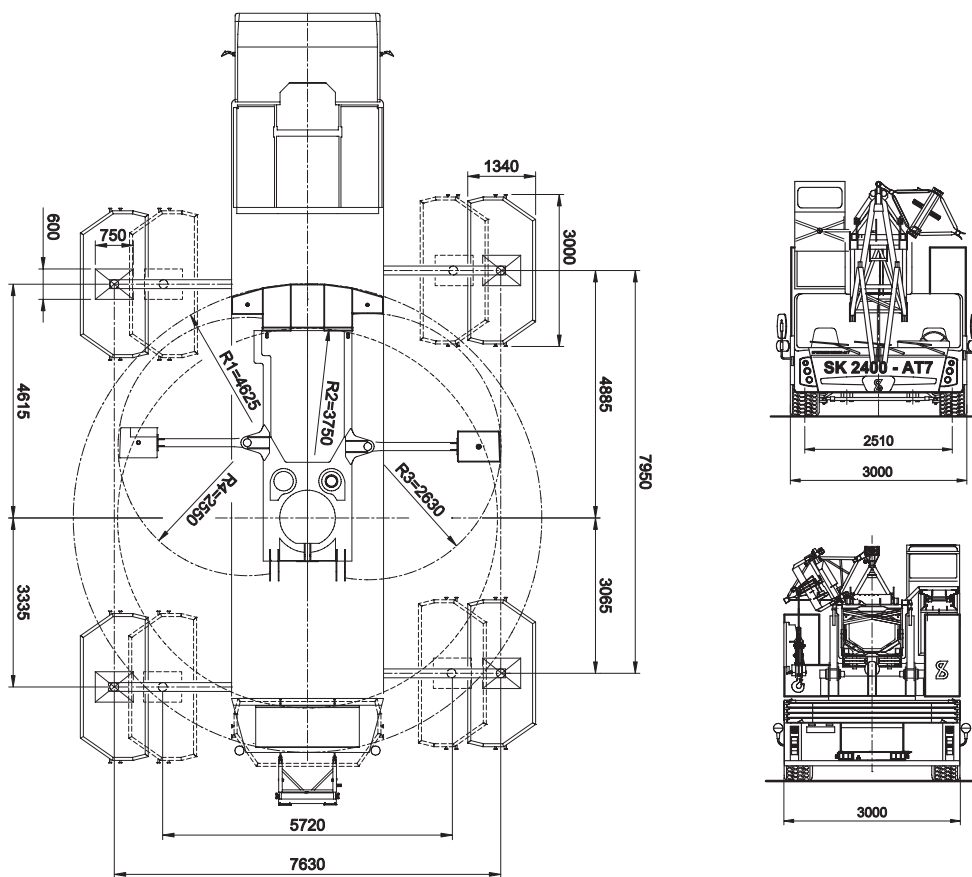
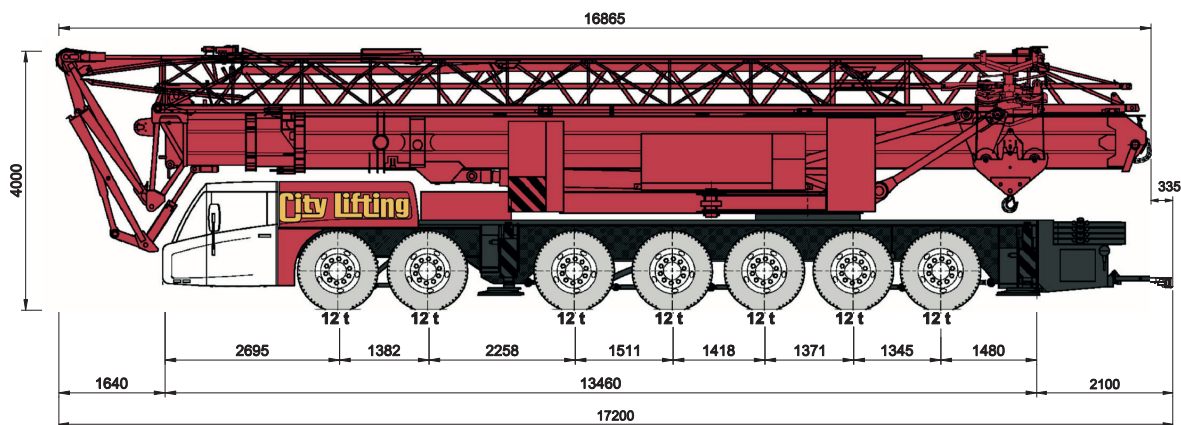


CRANE HIRE SPECIALISTS

MOBILE TOWER CRANES

www.citylifting.co.uk

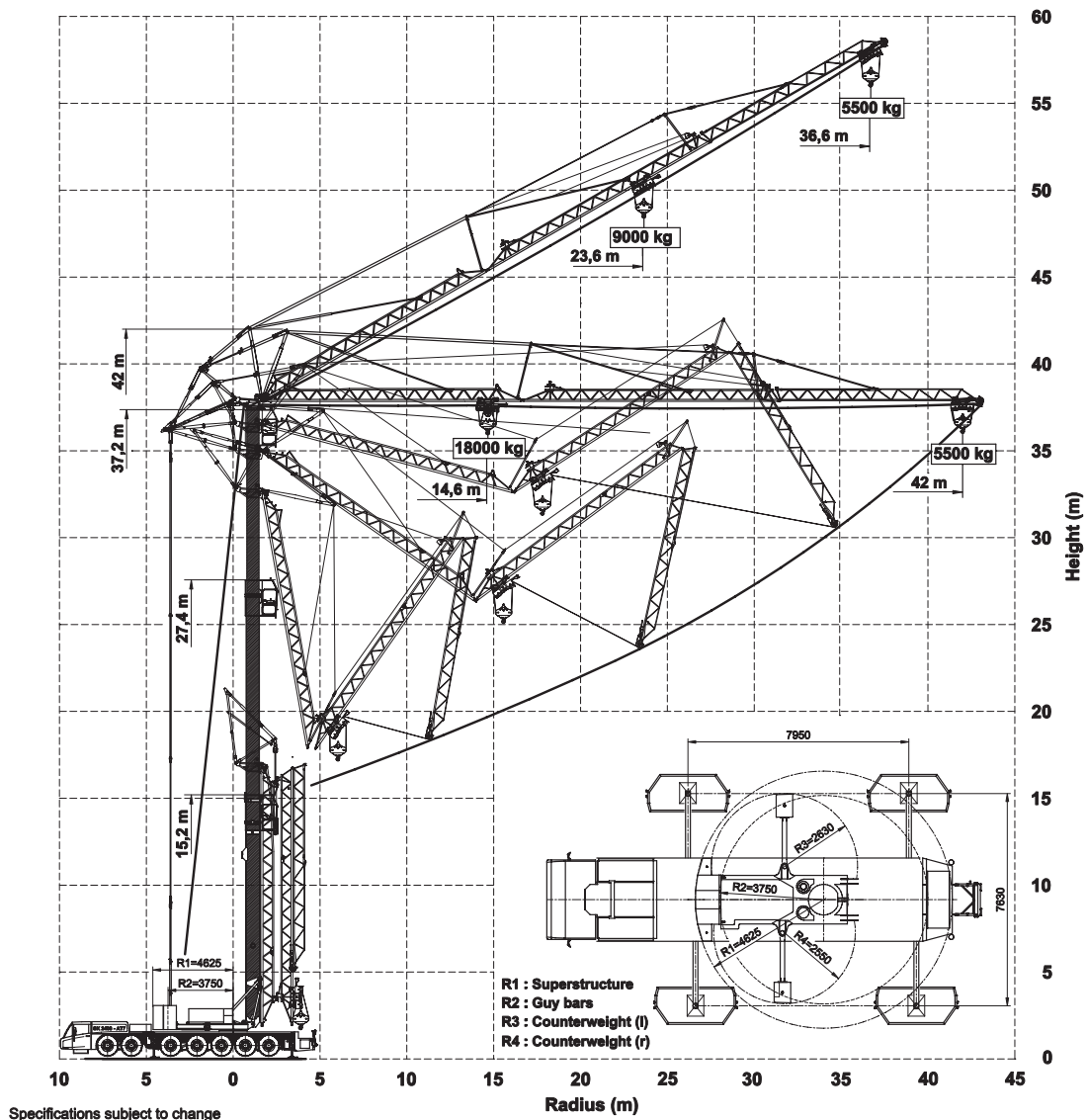
The Spierings SK597e Lift crane can work on sites emission free if connected to a small electricity supply whilst working on site. 3 Phase electrical connection of either 32 amps or 16 amps is sufficient to run the crane all day. **PLEASE NOTE** this crane has a larger counterweight radius of 3886mm instead of 3550



DISCLAIMER: Product introduction sheet supplied for reference purposes please see supplied USB stick or www.citylifting.co.uk for manufacturer detailed technical specification. Please contact the City Lifting Hire Team for Outrigger Loading and Spreader Mat Options.

SPIERINGS SK 2400 AT7 (42M JIB)

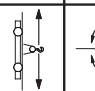
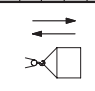
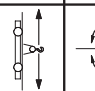
MOBILE TOWER CRANES



Outrigger support base	
Max. outrigger force	615 kN
Outrigger support pads	750x600 mm
Ground pressure	1,37 N/mm²
Outrigger support plates	3000x1340 mm
Surface	3,585 m²
Ground pressure	171kN/m²

SPIERINGS SK 2400 AT7 (42M JIB)

MOBILE TOWER CRANES

Max. speed	Jib horizontal / 30° luffed			All motions with hydraulic proportional controls. Luffing the jib 30° can be controlled from crane cab or by remote control.	Counterweight Crane : 23000 kg. Continuous slewing of the crane (360°) with the outriggers out and support pads down. Crane can be driven in its erected position under special conditions (refer user guide). The crane should be folded in at wind force 10 (Bf) (24 m/sec) or when not in use for a longer period.	Rated lifting capacity is net capacity. Max. line pull force : 4500 kg. 2 parts of line : 9000 kg. 4 parts of line : 18000 kg. Sail area of the load max.: 1,0 m²/ton. Operating temperature range from: -15°C till +40°C.	Outriggers positioned according to lifting chart Outrigger support base : 7,95 x 7,63 m. Operation allowed up to wind force 8 Bf (17 m/s) Outrigger support base : 7,95 x 5,72 m. Operation allowed up to wind force 8 Bf (17 m/s) Max. outrigger force: 600 kN.											
	m/min	kg																
	10	18000		Lifting the jib 30° can be controlled from crane cab or by remote control.	Counterweight Crane : 23000 kg. Continuous slewing of the crane (360°) with the outriggers out and support pads down. Crane can be driven in its erected position under special conditions (refer user guide). The crane should be folded in at wind force 10 (Bf) (24 m/sec) or when not in use for a longer period.	Rated lifting capacity is net capacity. Max. line pull force : 4500 kg. 2 parts of line : 9000 kg. 4 parts of line : 18000 kg. Sail area of the load max.: 1,0 m²/ton. Operating temperature range from: -15°C till +40°C.	Outriggers positioned according to lifting chart Outrigger support base : 7,95 x 7,63 m. Operation allowed up to wind force 8 Bf (17 m/s) Outrigger support base : 7,95 x 5,72 m. Operation allowed up to wind force 8 Bf (17 m/s) Max. outrigger force: 600 kN.											
20	9000																	
30	4500																	
50	2250																	
75	0																	
LIFTING CHART Outrigger support base 7,95 m x 7,63 m up to wind force 8 on the Beaufort scale (17 m/sec)																		
Jib horizontal																		
3,5	5	10	13,5	15	20	24,8	30	35	40	42	Radius (m)							
18000		17250	14785	12930	11475	9350	8550	7870	7285	6780	6335	5945	5595	5280	5000	Load (kg)		
Jib 30° luffed		18000	15925	13800	12160	10860	9805	9000	8195	7565	7025	6550	6135	5765	5435	5135		
36,9	37,7	40,6	43,5	46,4	47,4	49,3	52,2	55,1	56	36,6	Radius (m)							
3,5	5	10	15	20	21,7	25	30	35	36,6	5000	Load (kg)							
9000					8875	8045	7350	6765	6260	5820	5435	5095						
					9000	8440	7685	7045	6500	6030	5620	5260	5000					
LIFTING CHART Outrigger support base 7,95 m x 5,72 m up to wind force 8 on the Beaufort scale (17 m/sec)																		
Jib horizontal																		
3,5	5	10	15	18	20	25	30	35	40	42	Radius (m)							
18000		14420	12020	10285	9000	7955	7135	6460	5895	5420	5010	4650	4340	4065	3820	3600	3400	Load (kg)
Jib 30° luffed		16005	13115	11090	9590	8440	7525	6785	6165	5660	5205	4825	4490	4200	3940	3705	3495	
36,9	37,7	40,6	44	46,4	49,3	52,2	55,1	56	36,6	Radius (m)								
3,5	5	10	15,8	20	25	30	35	36,6	5000	Load (kg)								
9000			9000	7725	6840	6125	5545	5055	4640	4285	3975	3705	3465					
			8255	7255	6465	5820	5290	4840	4455	4125	3835	3585	3400					
Specifications subject to change								141-00240101C										

No need to deduct the hook block weights as it is a permanent part of the crane.